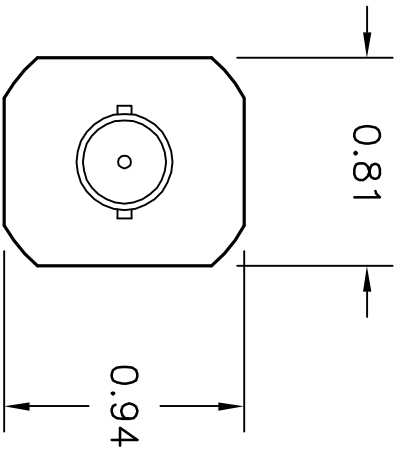
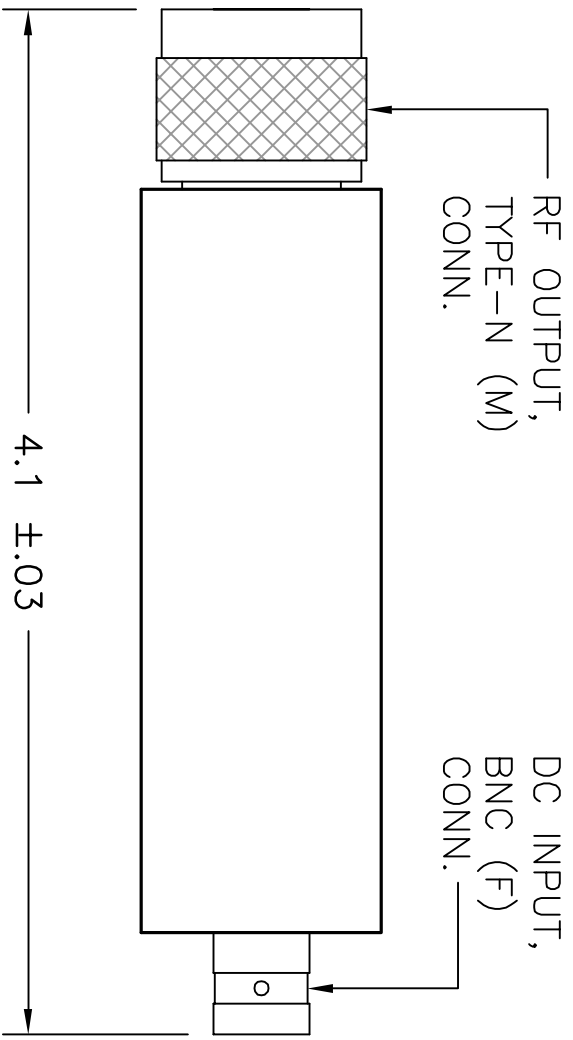


REV.	AUTH.	DATE	INITIAL RELEASE	APPROVED
REV. A	R.L.	MM/DD/03	UPDATED DIMS, ADDED PROJECTED VIEW, SPECS., REMSED NOTES	APPROVED
REV. B	R.L.	12/4/03		APPROVED
REV. C	R.L.	12/18/03	CORRECTED NOTES, SPECS.	APPROVED



PERFORMANCE SPECS.

MODEL NO.	FREQ RANGE (GHZ)	NOISE OUTPUT ENR (DB)	VSWR (MAX.)
NX153EZ	1.0 - 4.0	15.5+/-0.5	1.25:1
NX154FZ	2.0 - 8.0	15.5+/-0.5	1.25:1
NX153GZ	1.0 - 12.4	15.5+/-0.5	1.25:1
NX155GZ	4.0 - 12.4	15.5+/-0.5	1.25:1
NX153HZ	1.0 - 18.0	15.5+/-1.2	1.35:1

MATERIAL: <u> </u>	TREATMENT: <u> </u>	DRAWN: R. KESNER	DATE: 9/17/00
FINISH: STD. ATM GRAY	MOD. NO.: NX15-XX-Z	CHECKED: <u> </u>	DATE: <u> </u>
OUTLINE, Z-PACKAGE MICROWAVE NOISE SOURCE		APPROVED: <u> </u>	DATE: <u> </u>
ADVANCED TECHNICAL MATERIALS, INC. 49 RIDER AVE., PATCHOGUE N.Y. 11772 TEL: (631) 289-0363 FAX: (631) 289-0358 http://www.dtmmicrowave.com		CAGE CODE: 0R8N4	DO NOT SCALE DWG
UNLESS OTHERWISE NOTED DIMENSIONS ARE IN INCHES TOLERANCES ARE:		FRACTIONS ±1/64	DECIMALS ±.01
THE INFORMATION IN THIS DRAWING IS THE PROPERTY OF ADVANCED TECHNICAL MATERIALS, INC. IT IS TO BE USED OR DISCLOSED WITHOUT THE PRIOR WRITTEN CONSENT OF ATM, INC.		SCALE: NO SCALE	DWG. NO. 2270W
		NO SCALE	REV. C