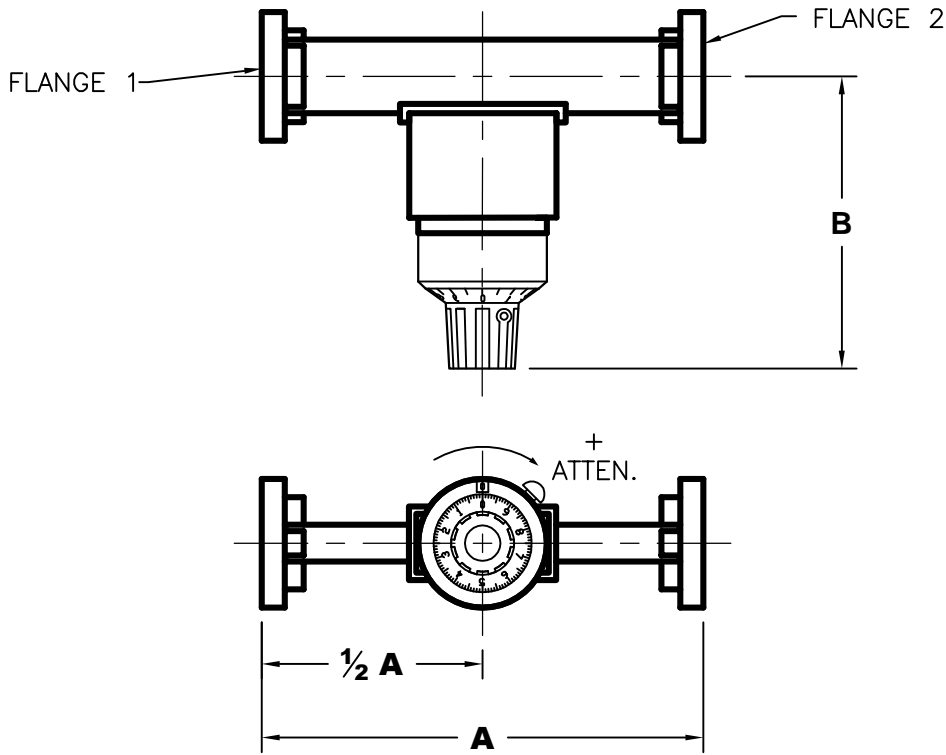


REV. A	DATE 6/20/02	INITIAL RELEASE	APPROVED
B	7/6/04	OUTLINE CHANGED AS SHOWN. OLD SEE REV A FOR OLD.	
C	4/3/08	ADDED DIMENSION "B", CORRESPONDING COLUMN AND DATA	
D	2/3/10	ADDED DIM "B" FOR WR51	M.R.



WG SIZE	FREQUENCY (GHz)	DIM. A	DIM. B	POWER (WATTS)
WR284	2.60-3.95	10.0	4.5	11
WR229	3.30-4.90	9.0	3.9	9
WR187	3.95-5.85	8.5	3.5	7
WR159	4.90-7.05	8.0	3.2	5
WR137	5.95-8.20	6.0	3.1	4
WR112	7.05-10.0	5.0	2.8	3
WR90	8.20-12.4	4.0	2.5	2
WR75	10.0-15.0	3.50	3.32	1
WR62	12.4-18.0	3.00	2.24	1
WR51	15.0-22.0	3.00	2.23	1
WR42	18.0-26.5	3.00	1.97	1
WR34	22.0-33.0	3.00	1.97	1
WR28	26.5-40.0	3.00	1.85	1

FLANGE TYPE	
1	= CPRG
2	= CPRF
3	= CMR STANDARD
4	= CMR CLEAR
5	= CMR TAP
6	= UG COVER
7	= UG CHOKE
8	= SPEC
9	= PDR
10	= UDR

MODEL NO.= WG SIZE-620-MAT'L (A/B)*-FLANGE 1-FLANGE 2

EXAMPLE: 28-620A-6-6

*A=ALUMINUM

B=BRASS/COPPER

PERFORMANCE SPECIFICATIONS

VSWR: 1.15 MAX.
 INSERTION LOSS: 0.5 dB MAX.
 ATTEN. RANGE: 0-30 dB MIN.

MATERIAL	TREATMENT	DRAWN	R. LYNCH	DATE	6/20/02	
FINISH	ATM STD GRAY	MOD NO.	XXX-620-XX-X-X	CHECKED	DATE	
OUTLINE, WAVEGUIDE CVA				APPROVED	DATE	
				CAGE CODE: ORB4	DO NOT SCALE DWG	
				ADVANCED TECHNICAL MATERIALS, INC. 49 RIDER AVE., PATCHOGUE N.Y. 11772 TEL: (631) 289-0363 FAX: (631) 289-0358 http://www.atmmicrowave.com		UNLESS OTHERWISE NOTED DIMENSIONS ARE IN INCHES TOLERANCES ARE:
		PROPRIETARY NOTICE: THE INFORMATION IN THIS DRAWING IS PROPRIETARY AND SHALL NOT BE USED OR DISCLOSED WITHOUT THE PRIOR WRITTEN CONSENT OF ATM, INC.		SCALE N.T.S.	DWG. NO. 5028	REV. D