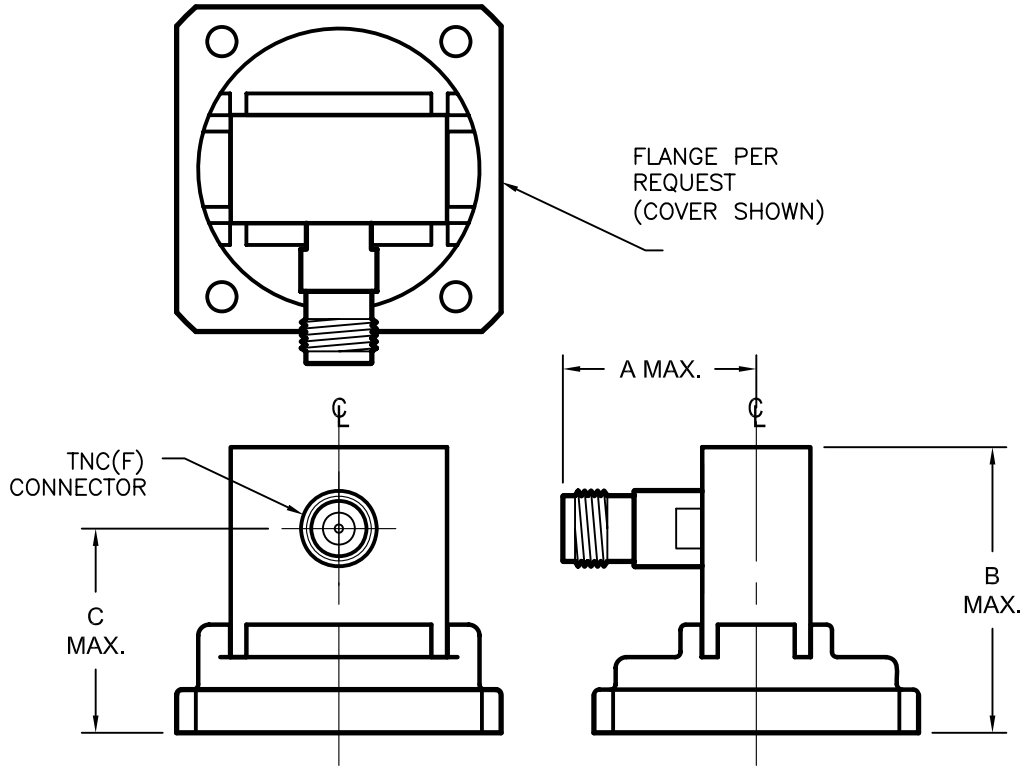


REV A	AUTH RL	DATE 3/30/06	INITIAL RELEASE
REV B	AUTH RL	DATE 5/16/03	CORRECTED PRINTING PROBLEMS
REV C	AUTH RL	DATE 4/22/04	WR62 DIMS 1.24, 1.30, 1.03 WERE 1.05, 1.55, 1.05
REV D	AUTH RL	DATE 03/30/06	RE-ILLUSTRATED. DIMS FOR WR62, WR75, WR90, WR112 MODELS CHANGED PER ECN# 03-31-06-02
REV E	AUTH M.R.	DATE 9/22/11	WR51 ADDED TO TABLE



DIMENSIONS IN INCHES			
WG TYPE	A	B	C
WR51	1.16	1.00	0.65
WR62	1.16	1.00	0.65
WR75	1.17	1.00	0.63
WR90	1.17	1.00	0.63
WR102	1.17	1.64	1.14
WR112	1.23	1.14	0.67
WR137	1.10	2.00	1.47
WR159	1.19	2.33	1.70
WR187	1.23	2.60	1.90
WR229	1.36	2.25	1.35
WR284	1.48	2.50	1.51
WR340	1.66	3.50	2.29
WR430	1.88	4.00	2.30
WR650	2.43	5.00	2.40

THIRD ANGLE PROJECTION:		APPROVALS	DATE		ADVANCED TECHNICAL MATERIALS, INC. TEL: (631) 289-0363 FAX: (631) 289-0358 www.atmmicrowave.com		THE INFORMATION IN THIS DRAWING IS PROPRIETARY AND SHALL NOT BE USED OR DISCLOSED WITHOUT THE PRIOR WRITTEN CONSENT OF ATM, INC. DO NOT SCALE DWG.
UNLESS OTHERWISE NOTED, DIMENSIONS ARE IN INCHES, TOLERANCES ARE: FRACTIONS: $\pm 1/64$ ANGLES: $\pm 1/2^\circ$		DRAWN RL	03/30/06		OUTLINE, W/G-COAX ADAPTER, TNC-F		
		CHKD.		REVISION E			
BASIC DIMENSION	DECIMALS 2 PLACE 3 PLACE	APRVD.		SIZE A	CAGE CODE OR8N4	ATM DWG # 3613W	SHEET 1/1
UNDER 6"	$\pm .02$ $\pm .005$	MATERIAL PER ORDER		SCALE	NONE	MODEL # SEE WEB	
6" - 12"	$\pm .03$ $\pm .010$	TREATMENT -					
OVER 12"	$\pm .06$ $\pm .015$	FINISH ATM GREY STD.					