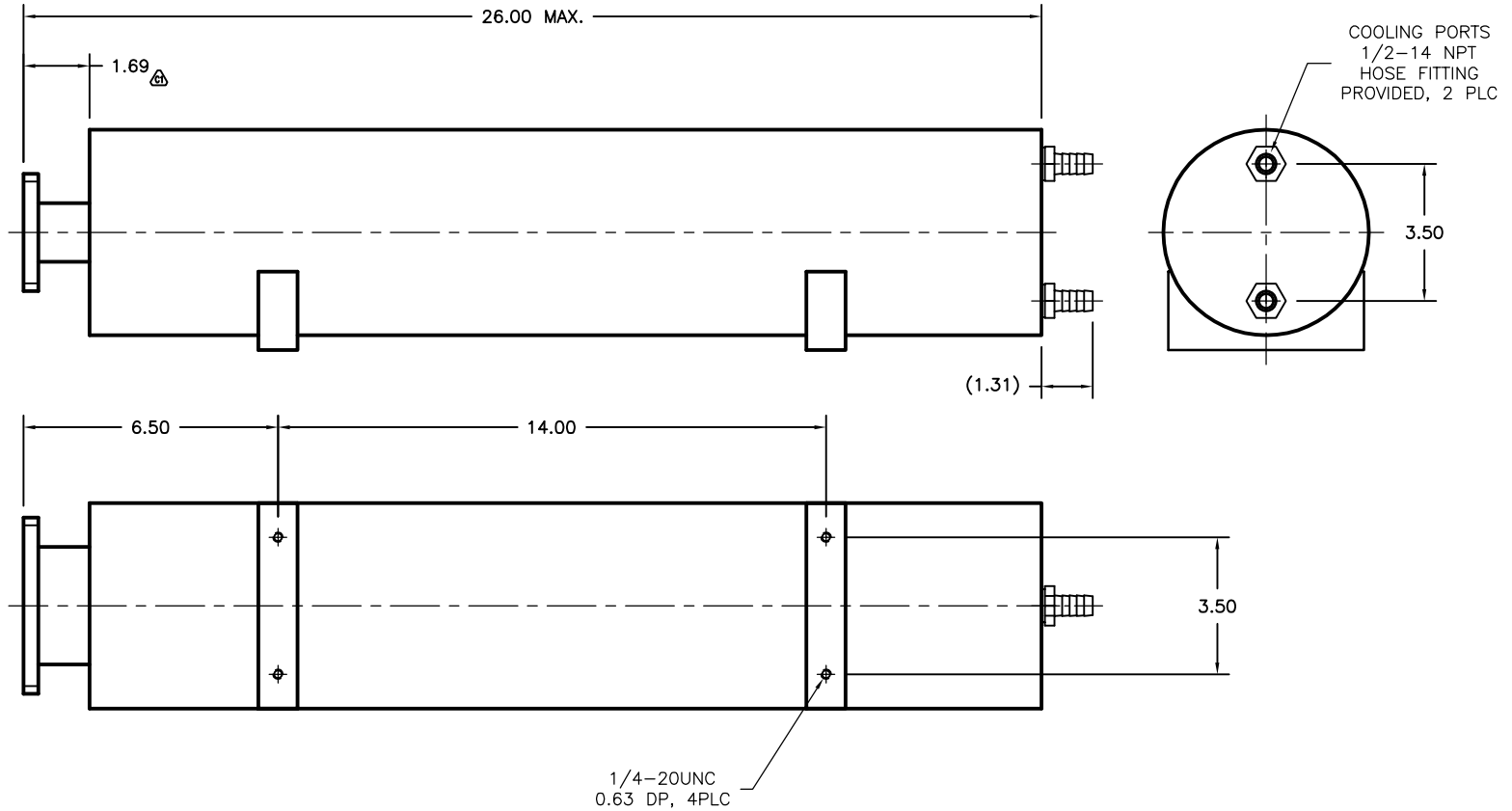
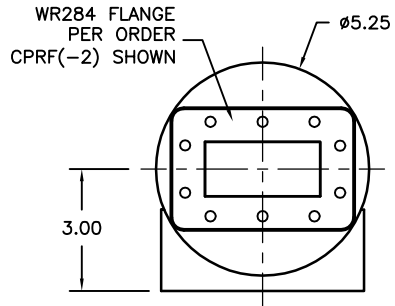


REV A	AUTH R.L.	DATE 09/10/02	INITIAL RELEASE
REV B	AUTH M.R.	DATE 11/28/03	ADDED NOTES FOR MATERIALS
REV C	AUTH M.R.	DATE 05/30/14	FORMAT UPDATE, MODEL SPECS UPDATED, PER EON 03-19-14-01, WAS 1.00



MODEL SPECIFICATIONS

MECHANICAL

MODEL NUMBER: 284-770-2
 MATERIAL: 6061 ALUM ALLOY BODY
 FINISH: CHEM FILM IRIDITE
 FLANGES: WR284 CPRF, OTHERS AVAILABLE

ELECTRICAL

FREQ. RANGE: 2.60-3.95GHz
 POWER: 7000W AVG.
 VSWR: 1.15 MAX

THIRD ANGLE PROJECTION UNLESS OTHERWISE NOTED, DIMENSIONS ARE IN INCHES. TOLERANCES ARE: FRACTIONS: ±1/64 ANGLES: ±1/2° MACHINED FINISH 63 ✓ OR BETTER DECIMALS 2 PLACE 3 PLACE ±.01 ±.005	APPROVALS	DATE	ADVANCED TECHNICAL MATERIALS, INC. TEL: (631) 289-0363 FAX: (631) 289-0358 www.atmmicrowave.com <small>THE INFORMATION ON THIS DRAWING IS PROPRIETARY TO ADVANCED TECHNICAL MATERIALS, INC. AND IS UNCLASSIFIED. THE TRADE SECRETS AND PATENT RIGHTS OF ATM, INC. ARE HEREBY PROTECTED.</small>
	DRAWN R.L.	09/10/02	
	CHKD.		
	APRVD.		
MATERIAL ALUM ALLOY	SIZE A	CAGE CODE ORG#4	ATM DWG # 5153
TREATMENT CHEM FILM	1 : 1	284-770-2	REVISION C 1/1