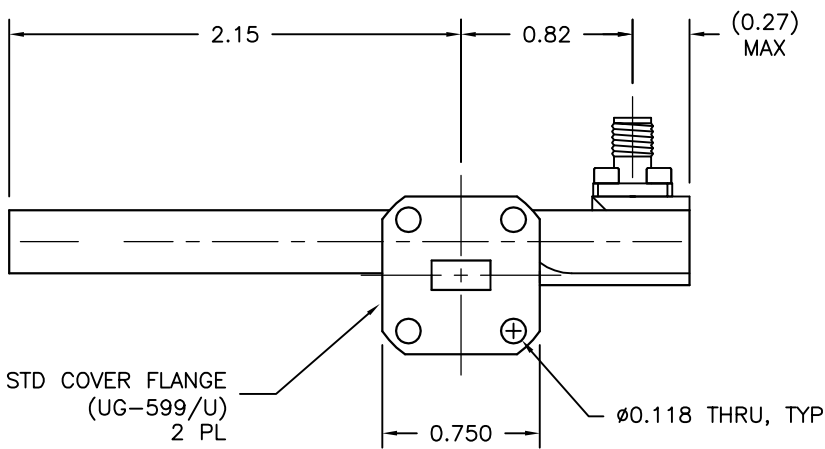
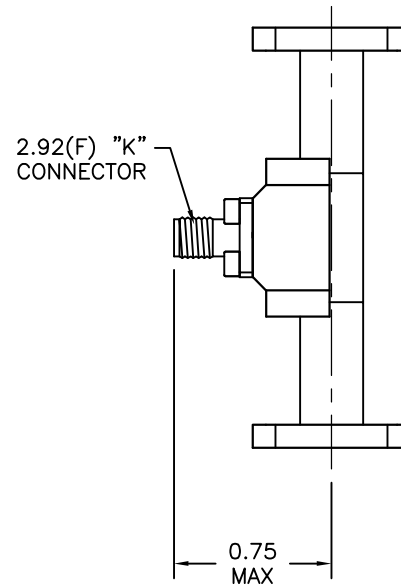
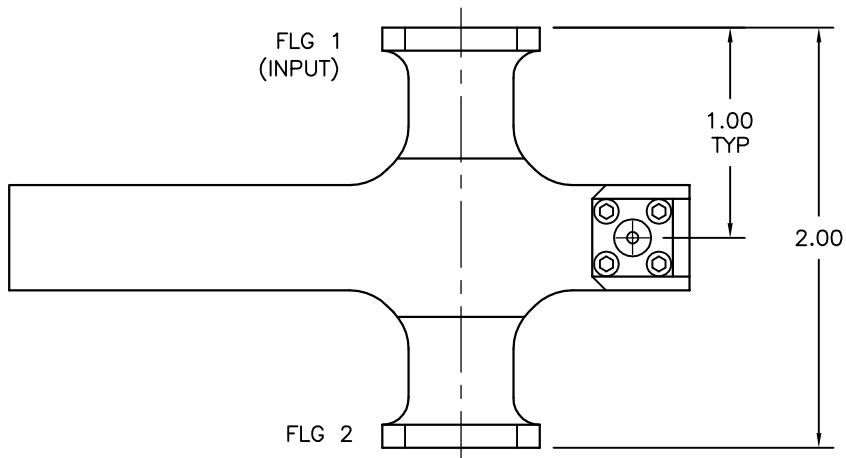


REV A	AUTH DM	DATE 06/05/13	INITIAL RELEASE
REV B	AUTH M.R.	DATE 02/06/14	ADDED "MAX" TO CONNECTOR HEIGHT, REFERENCE DIM (0.27), WAS 0.19, ADDED MAX.



WR28 STD COVER FLANGE
(UG-599/U)
2 PL

THIRD ANGLE PROJECTION:		APPROVALS	DATE	ADVANCED TECHNICAL MATERIALS, INC. TEL: (631) 289-0363 FAX: (631) 289-0358 www.atmmicrowave.com		<small>THE INFORMATION IN THIS DRAWING IS PROPRIETARY AND SHALL NOT BE USED OR DISCLOSED WITHOUT THE PRIOR WRITTEN CONSENT OF AT&M, INC. DO NOT SCALE DWG.</small>	
UNLESS OTHERWISE NOTED, DIMENSIONS ARE IN INCHES, TOLERANCES ARE: FRACTIONS: $\pm 1/64$ ANGLES: $\pm 1/2^\circ$ MACHINED FINISH 63 \checkmark OR BETTER DECIMALS 2 PLACE 3 PLACE ± 0.01 ± 0.005		DRAWN DM	06/05/13				
		CHKD.		SIZE A	CAGE CODE OR8N4	ATM DWG # 14935	REVISION B
		APRVD.		MATERIAL ALUMINUM	TREATMENT CHEM FILM	SCALE NONE	MODEL # 28-303A-XX-6-6