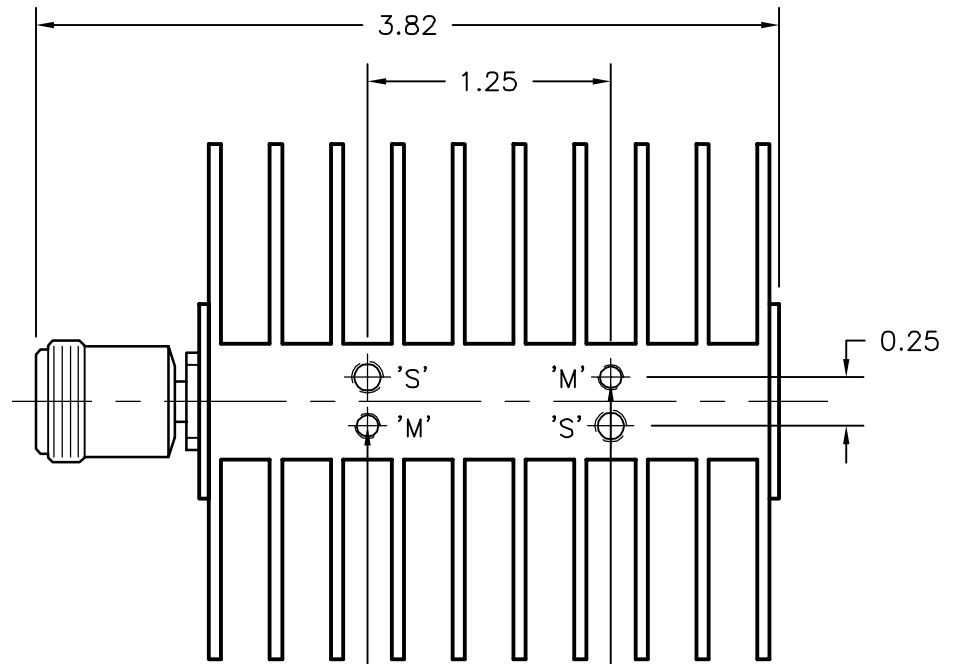


TYPE-N (F) CONN.
5/8-24 UNEF-2A THD.



M4x0.7 TAP
X .50 (12.7) DP.
(2X MARKED 'M')

8-32UNC-2B TAP
X .50 (12.7) DP.
(2X MARKED 'S')

Frequency Range: DC - 18 GHz

VSWR:
DC - 6 GHz: 1.25:1 (Max.)
6 - 12.4 GHz: 1.35:1 (Max.)
12.4 - 18 GHz: 1.45:1 (Max.)

Input Power: 50 Watts Average At 25° C
Derated Linearly To
10 Watts At 125° C

Peak Power: 500 Watts (Max.)
(5uSec Pulse, .05% Duty Cycle)

Impedance: 50 Ohms

Operating Temp. Range: -65 C° To +125 C°

Materials:
Housing: Anodized Aluminum
Connectors: Passivated Stainless Steel
Conductors: Au Plated Beryllium Copper

THIRD ANGLE PROJECTION:		APPROVALS	DATE		ADVANCED TECHNICAL MATERIALS, INC. TEL: (631) 289-0363 FAX: (631) 289-0358 www.atmmicrowave.com		THE INFORMATION IN THIS DRAWING IS PROPRIETARY AND SHALL NOT BE USED OR DISCLOSED WITHOUT THE PRIOR WRITTEN CONSENT OF ATM INC. DO NOT SCALE DWGS.
UNLESS OTHERWISE NOTED, DIMENSIONS ARE IN INCHES, TOLERANCES ARE: FRACTIONS: ±1/64 ANGLES: ±1/2°		DRAWN RL	10/25/06		OUTLINE, COAX TERMINATION, 50W, TYPE-N		
BASIC DIMENSION	DECIMALS 2 PLACE 3 PLACE	CHKD.	APRVD.	SIZE A			
UNDER 6"	±.02 ±.005			SCALE 1 : 1	MODEL # T5027A		SHEET 1/1
6" - 12"	±.03 ±.010	MATERIAL SEE NOTES	TREATMENT SEE NOTES				
OVER 12"	±.06 ±.015	FINISH SEE NOTES					