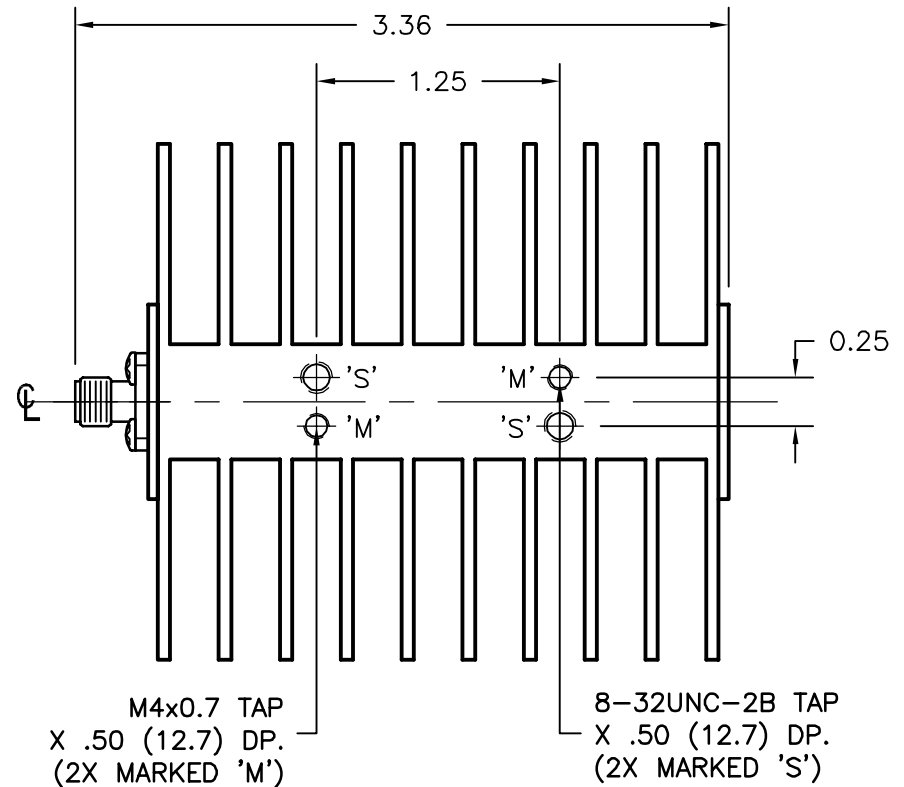
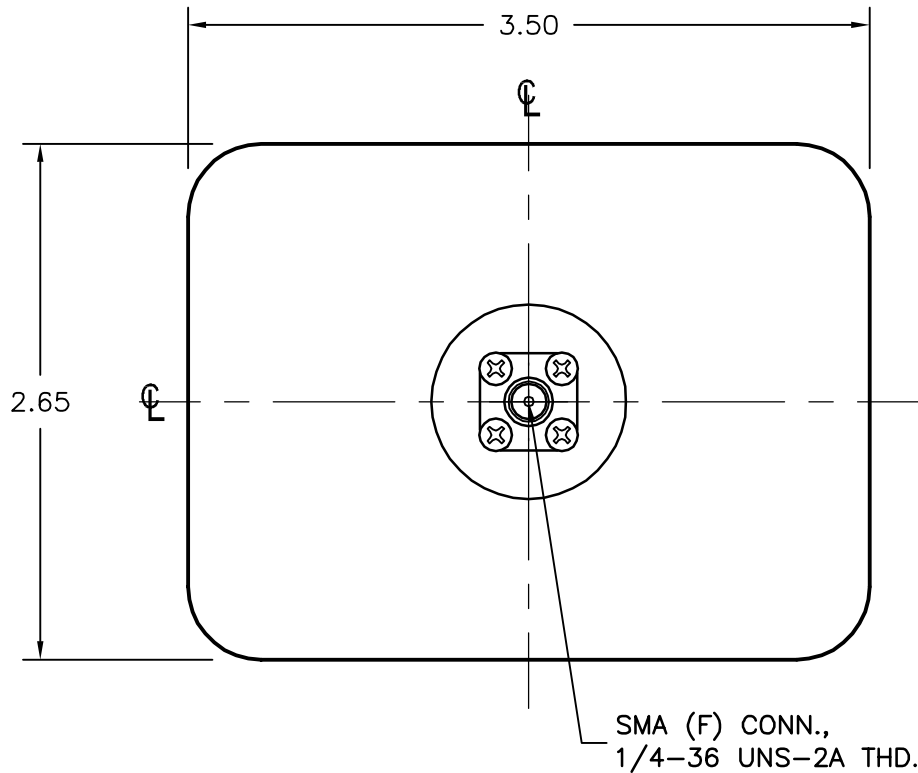


REV -	AUTH RTK	DATE 4/28/00	INITIAL RELEASE
REV A	AUTH RL	DATE 01/08/04	UPDATED FORMAT, DIMS, NOTES, ADDED MOUNTING HOLES.
REV B	AUTH RL	DATE 10/25/06	NOTES, FORMAT UPDATE



Frequency Range: DC - 18 GHz

VSWR:

DC - 6 GHz:	1.25:1 (Max.)
6 - 12.4 GHz:	1.35:1 (Max.)
12.4 - 18 GHz:	1.45:1 (Max.)

Input Power: 50 Watts Average At 25° C  
Derated Linearly To  
10 Watts At 125° C

Peak Power: 500 Watts (Max.)  
(5uSec Pulse, .05% Duty Cycle)

Impedance: 50 Ohms

Operating Temp. Range: -65 C° To +125 C°

Materials:

Housing:	Anodized Aluminum
Connectors:	Passivated Stainless Steel
Conductors:	Au Plated Beryllium Copper

THIRD ANGLE PROJECTION:		APPROVALS	DATE	ADVANCED TECHNICAL MATERIALS, INC. TEL: (631) 289-0363 FAX: (631) 289-0358 www.atmmicrowave.com		<small>THE INFORMATION IN THIS DRAWING IS PROPRIETARY AND SHALL NOT BE USED OR DISCLOSED WITHOUT THE PRIOR WRITTEN CONSENT OF ATM, INC. DO NOT SCALE DWG.</small>			
UNLESS OTHERWISE NOTED, DIMENSIONS ARE IN INCHES, TOLERANCES ARE: FRACTIONS: ±1/64 ANGLES: ±1/2°		DRAWN RL	04/28/00						
		BASIC DIMENSION		DECIMALS		APRVD.			
		2 PLACE	3 PLACE						
UNDER 6"		±.02	±.005	MATERIAL SEE NOTES		SIZE A	CAGE CODE 0R8N4	ATM DWG # 2594W	REVISION B
6" - 12"		±.03	±.010	TREATMENT SEE NOTES		SCALE 1 : 1	MODEL # T5017A	SHEET 1/1	
OVER 12"		±.06	±.015	FINISH SEE NOTES					