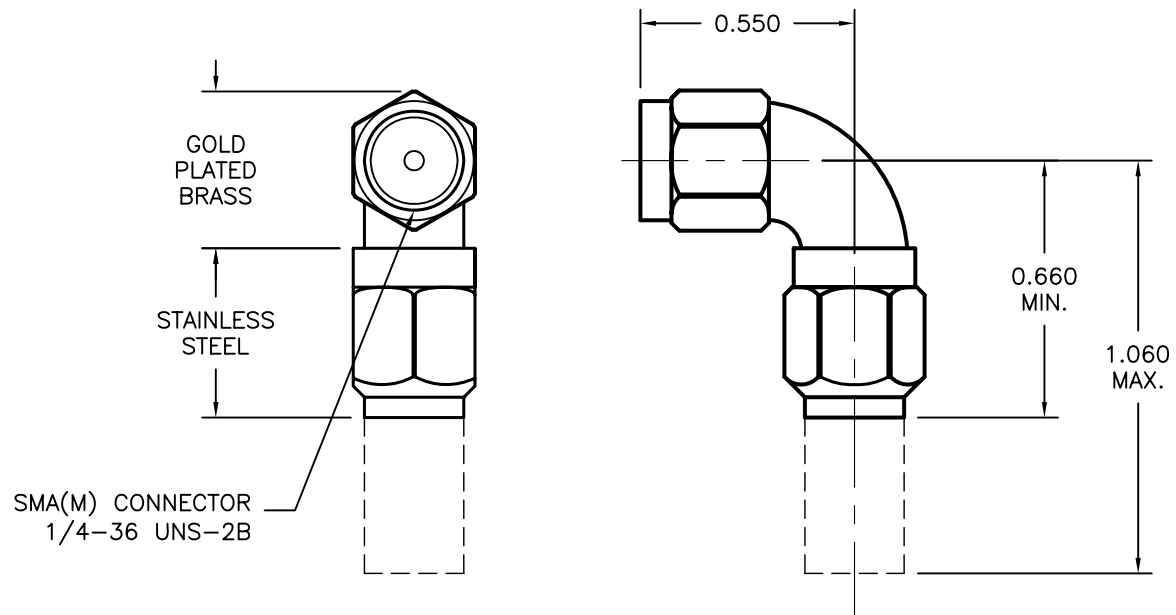


REV <b>A</b>	AUTH <b>RL</b>	DATE <b>09/21/07</b>	INITIAL RELEASE
-----------------	-------------------	-------------------------	-----------------



THIRD ANGLE PROJECTION:		APPROVALS	DATE	<b>ADVANCED TECHNICAL MATERIALS, INC.</b> TEL: (631) 289-0363 FAX: (631) 289-0358 www.atmmicrowave.com		<small>THE INFORMATION IN THIS DRAWING IS PROPRIETARY AND SHALL NOT BE USED OR DISCLOSED WITHOUT THE PRIOR WRITTEN CONSENT OF ATM, INC. DO NOT SCALE DWG.</small>	
UNLESS OTHERWISE NOTED, DIMENSIONS ARE IN INCHES, TOLERANCES ARE: FRACTIONS: $\pm 1/64$ ANGLES: $\pm 1/2^\circ$		DRAWN <b>RL</b>	<b>09/21/07</b>	<b>OUTLINE, SMR-135</b> <b>SMA(M) CONNECTOR, SWEEPED RIGHT ANGLE</b>			
		CHKD.					
BASIC DIMENSION	DECIMALS 2 PLACE    3 PLACE	APRVD.		SIZE <b>A</b> CAGE CODE <b>OR8N4</b> ATM DWG # <b>8284</b> REVISION <b>A</b>			
UNDER 6"	$\pm .02$ $\pm .005$	MATERIAL -		SCALE <b>2 : 1</b> MODEL # <b>SMR-135</b> SHEET <b>1/1</b>			
6" - 12"	$\pm .03$ $\pm .010$	TREATMENT -					
OVER 12"	$\pm .06$ $\pm .015$	FINISH -					