

4

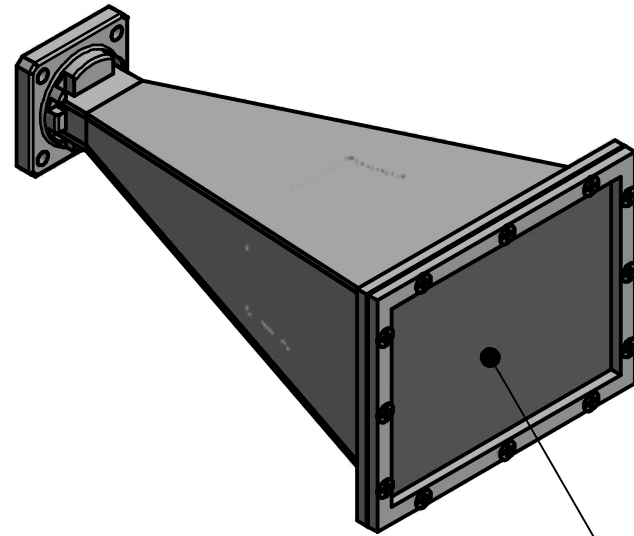
3

2

1

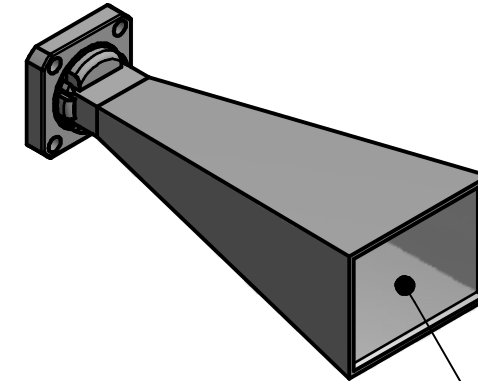
REVISION HISTORY			
REV	AUTH	DATE	DESCRIPTION
A	RL	5/21/15	INITIAL RELEASE

Size	Freq. Rge GHz	Model Number
WR975	0.75 - 1.12	975-441-2
WR650	1.12 - 1.70	650-440-2
WR650	1.12 - 1.70	650-441-2
WR510	1.45 - 2.20	510-441-2
WR510	1.45 - 2.20	510-441-2
WR430	1.70 - 2.60	430-440-2
WR430	1.70 - 2.60	430-441-2
WR430	1.70 - 2.60	430-442-2
WR340	2.20 - 3.30	340-440-2
WR340	2.20 - 3.30	340-441-2
WR340	2.20 - 3.30	340-442-2
WR284	2.60 - 3.95	284-440-6
WR284	2.60 - 3.95	284-441-6
WR284	2.60 - 3.95	284-442-6
WR284	2.60 - 3.95	284-443-6
WR229	3.30 - 4.90	229-440-2
WR229	3.30 - 4.90	229-441-2
WR229	3.30 - 4.90	229-442-2
WR229	3.30 - 4.90	229-443-2
WR187	3.95 - 5.85	187-440-6
WR187	3.95 - 5.85	187-441-6
WR187	3.95 - 5.85	187-442-6
WR187	3.95 - 5.85	187-443-6
WR159	4.90 - 7.05	159-440-2
WR159	4.90 - 7.05	159-441-2
WR159	4.90 - 7.05	159-442-2
WR159	4.90 - 7.05	159-443-2
WR137	5.85 - 8.20	137-440-2
WR137	5.85 - 8.20	137-441-2
WR137	5.85 - 8.20	137-442-2
WR137	5.85 - 8.20	137-443-2
WR112	7.05 - 10.0	112-441-6
WR112	7.05 - 10.0	112-442-6
WR112	7.05 - 10.0	112-443-6
WR112	7.05 - 10.0	112-449-6/24
WR102	7.00 - 11.0	102-441-6
WR102	7.00 - 11.0	102-449-6/17
WR102	7.00 - 11.0	102-442-6
WR102	7.00 - 11.0	102-443-6
WR90	8.20 - 12.4	90-441-6
WR90	8.20 - 12.4	90-442-6
WR90	8.20 - 12.4	90-443-6
WR90	8.20 - 12.4	90-449-6/24
WR75	10.0 - 15.0	75-441-6
WR75	10.0 - 15.0	75-442-6
WR75	10.0 - 15.0	75-443-6
WR62	12.4 - 18.0	62-442-6
WR62	12.4 - 18.0	62-443-6
WR62	12.4 - 18.0	62-449-6/17.5
WR62	12.4 - 18.0	62-449-6/24
WR51	15.0 - 22.0	51-442-6
WR51	15.0 - 22.0	51-443-6
WR42	18.0 - 26.5	42-442-6
WR42	18.0 - 26.5	42-443-6
WR34	22.0 - 33.0	34-443-6
WR28	26.5 - 40.0	28-443-6
WR28	26.5 - 40.0	28-449-6/24
WR22	33.0 - 50.0	22-443-6R
WR19	40.0 - 60.0	19-443-6R



TEFLON-FIBERGLASS MATERIAL MOUNTED INSIDE RADOME FRAME

RADOMES WITH FRAME



LOW DIELECTRIC MATERIAL CUSTOM FITTED AND EPOXIED IN PLACE

RADOMES WITH INSERT

Size	Freq. Rge. GHz	Model Number
WR112	7.05 - 10.0	112-440-6
WR102	7.00 - 11.0	102-440-6
WR90	8.20 - 12.4	90-440-6
WR75	10.0 - 15.0	75-440-6
WR62	12.4 - 18.0	62-440-6
WR62	12.4 - 18.0	62-441-6
WR51	15.0 - 22.0	51-440-6
WR51	15.0 - 22.0	51-441-6
WR42	18.0 - 26.5	42-440-6
WR42	18.0 - 26.5	42-441-6
WR42	18.0 - 26.5	42-449-6/16
WR34	22.0 - 33.0	34-440-6
WR34	22.0 - 33.0	34-441-6
WR34	22.0 - 33.0	34-442-6
WR28	26.5 - 40.0	28-440-6
WR28	26.5 - 40.0	28-441-6
WR28	26.5 - 40.0	28-442-6
WR15	50.0 - 75.0	15-443-6R
WR12	60.0 - 90.0	12-443-6R
WR10	75.0 - 110.0	10-443-6R
WR 8	90.0 - 140.0	08-443-6R
WR 5	140.0 - 220.0	05-443-6R
WRD180	18.0 - 40.0	180-442-C3
K-TYPE (F)	18.0 - 40.0	180-442-KF

MODEL NO	QTY	NEXT ASSY	THIRD ANGLE PROJECTION:	APPROVALS	DATE	ADVANCED TECHNICAL MATERIALS, INC. TEL: (631) 289-0363 FAX: (631) 289-0358 www.atmmicrowave.com <small>THE INFORMATION IN THIS DRAWING IS PROPRIETARY AND SHALL NOT BE USED OR DISCLOSED WITHOUT THE PRIOR WRITTEN CONSENT OF ATM, INC. DO NOT SCALE DWG.</small>
			UNLESS OTHERWISE NOTED, DIMENSIONS ARE IN INCHES, TOLERANCES ARE: FRACTIONS: ±1/64 ANGLES: ±1/2°	DRAWN RL 5/21/15	5/22/15	
			DECIMALS 2 PLACE 3 PLACE ±.01 ±.005	CHKD. MR		RADOME APPLICATIONS TABLE WG HORNS
			MACHINED FINISH 63 ✓ OR BETTER	APRVD.		
				MATERIAL PER ORDER		SIZE B CAGE CODE 0R8N4 ATM DWG # 16784 REVISION A
				TREATMENT		MODEL # SEE TABLE SHEET 1 OF 1
				FINISH		

4

3

2

1