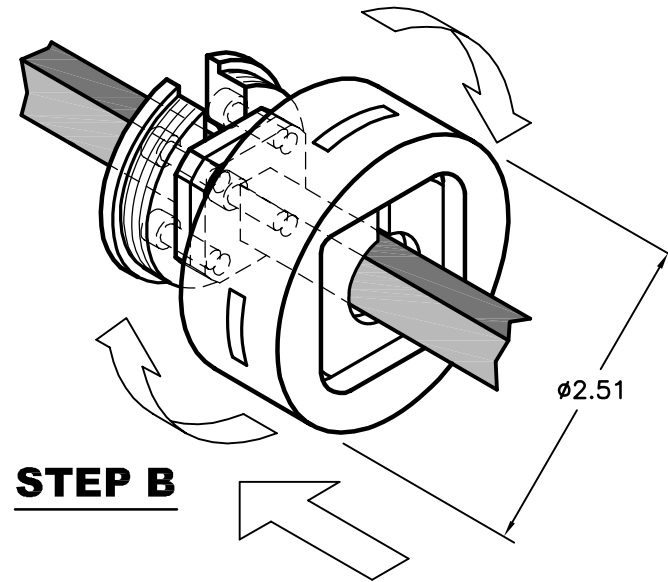
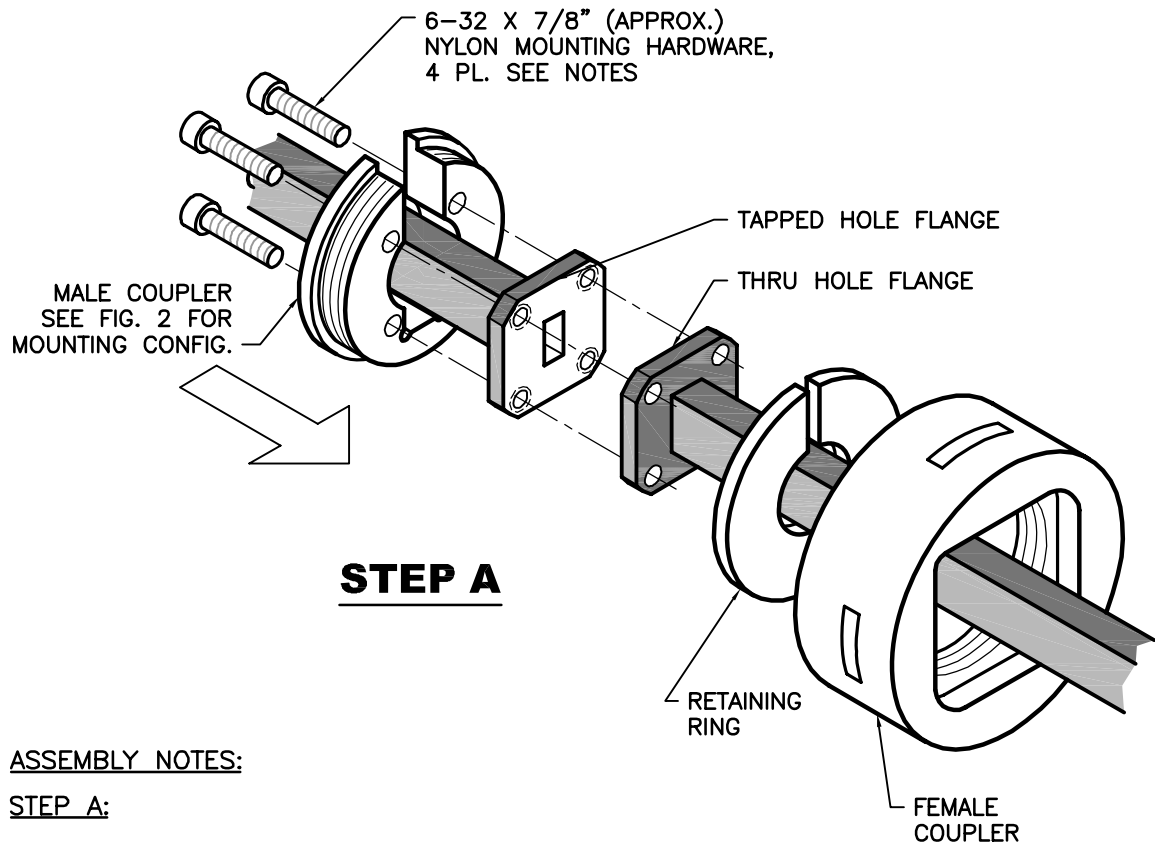


REV. A	AUTH. R.L.	DATE 4/26/01	INITIAL RELEASE	APPROVED
REV. B	AUTH. R.L.	DATE 7/9/04	REVISED ILLUSTRATION, NOTES	APPROVED
REV. C	AUTH. R.L.	DATE 07/05/05	LAYOUT REVISED, SHEET 2/2 ADDED.	APPROVED
REV. D	AUTH. R.L.	DATE 02/11/06	NOTES CORRECTED: 7/8" HARDWARE WAS: 3/4"	APPROVED



ASSEMBLY NOTES:

STEP A:

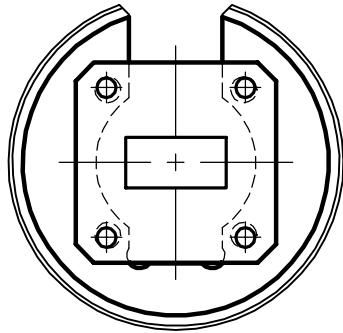
CUT NYLON SCREWS TO LENGTH, SO AS NOT TO PROTRUDE THROUGH BACK OF THRU HOLE FLANGE (SLIGHTLY SHORTER THAN COMBINED FLANGE THICKNESS - SEE TABLE WITH FIG. 2). PASS HARDWARE THROUGH MALE COUPLER, THREAD INTO TAPPED HOLE FLANGE. PASS FEMALE COUPLER OVER THRU HOLE FLANGE. WHILE TWISTING SPLIT ON RETAINING RING, PLACE OVER WAVEGUIDE AS SHOWN. SNAP RETAINING RING INTO FEMALE COUPLER, SEAT AT BOTTOM.

STEP B:

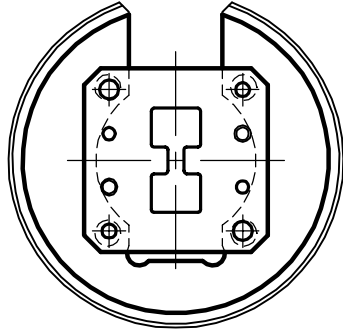
MATE FLANGES TOGETHER. THREAD FEMALE COUPLER ONTO MALE COUPLER, AND SCREW DOWN FIRMLY.

MATERIAL	ALUM.	TREATMENT	-	DRAWN	R. LYNCH	DATE	7/9/04
FINISH	BLACK ANODIZE	MOD NO.	QD-75/QD-580	CHECKED		DATE	
OUTLINE / ASSY. WR75/WRD-580 QUICK DISCONNECT W/G COUPLING				APPROVED		DATE	
				CAGE CODE: OR8N4		DO NOT SCALE DWG	
ADVANCED TECHNICAL MATERIALS, INC. 49 RIDER AVE., PATCHOGUE N.Y. 11772 TEL: (631) 289-0386 FAX: (631) 289-0358 http://www.atmmicrowave.com				UNLESS OTHERWISE NOTED DIMENSIONS ARE IN INCHES TOLERANCES ARE:		FRACTIONS ±1/64 DECIMALS ±.01 ANGLES ±1/2°	SHEET. 1/2
				PROPRIETARY NOTICE: THE INFORMATION IN THIS DRAWING IS PROPRIETARY AND SHALL NOT BE USED OR DISCLOSED WITHOUT THE PRIOR WRITTEN CONSENT OF ATM, INC.		SCALE NONE	DWG. NO. 4194W
						REV. D	

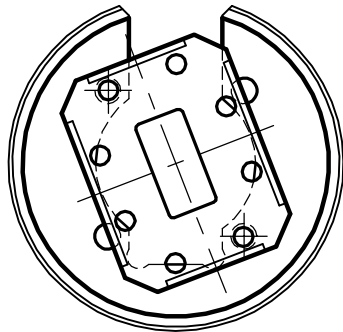
REV. A	AUTH. R.L.	DATE 4/26/01	INITIAL RELEASE	APPROVED
REV. B	AUTH. R.L.	DATE 7/9/04	REVISED ILLUSTRATION, NOTES	APPROVED
REV. C	AUTH. R.L.	DATE 7/9/04	LAYOUT REVISED, SHEET 2/2 ADDED.	APPROVED
REV. D	AUTH. RL	DATE 11/30/06	MIN COMBINED FLG. THICKNESS: 0.36 WAS: 1.17; MAX. COMBINED FLG. THICKNESS: 0.60 WAS: 1.40	APPROVED



WR75 COVER CONFIG.



WRD580 COVER/GROOVE CONFIG



WR75 CPRF/G CONFIG.

FLANGES	HOLE SET
75 COVER	(4) A
WRD580 COVER	(4) A
CPR75F/G	(2) DIAG. A

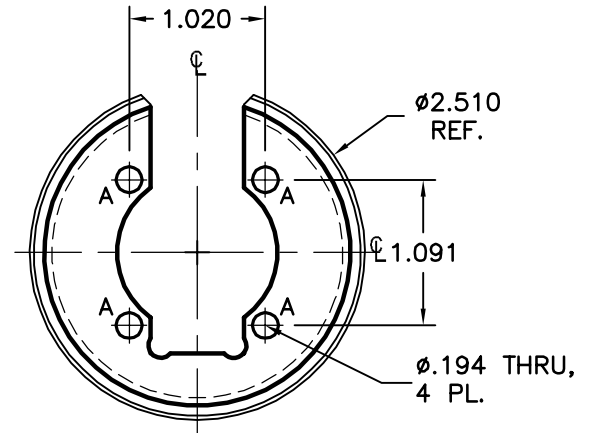


FIG. 1

DIM. 'D'
MIN. 0.36 (9.1MM)
MAX. 0.60 (15.2MM)

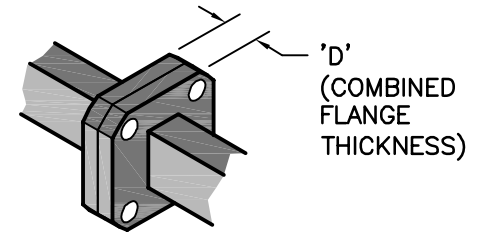


FIG. 2.

MATERIAL ALUM.	TREATMENT -	DRAWN R. LYNCH	DATE 7/9/04	
FINISH BLACK ANODIZE	MOD NO. QD-75/QD-580	CHECKED	DATE	
OUTLINE / ASSY. WR75/WRD-580 QUICK DISCONNECT W/G COUPLING		APPROVED	DATE	
		CAGE CODE: ORB4	DO NOT SCALE DWG	
ADVANCED TECHNICAL MATERIALS, INC. 49 RIDER AVE., PATCHOGUE N.Y. 11772 TEL: (631) 289-0386 FAX: (631) 289-0358 http://www.atmmicrowave.com		UNLESS OTHERWISE NOTED DIMENSIONS ARE IN INCHES TOLERANCES ARE:	FRACTIONS ±1/64 DECIMALS ±.01 ANGLES ±1/2°	SHEET. 2/2
PROPRIETARY NOTICE: THE INFORMATION IN THIS DRAWING IS PROPRIETARY AND SHALL NOT BE USED OR DISCLOSED WITHOUT THE PRIOR WRITTEN CONSENT OF ATM, INC.		SCALE NONE	DWG. NO. 4194W	REV. D