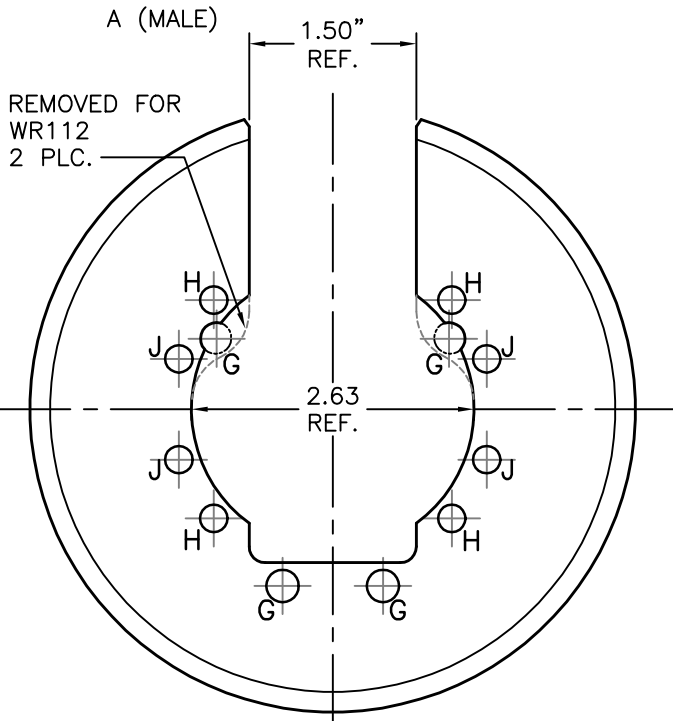
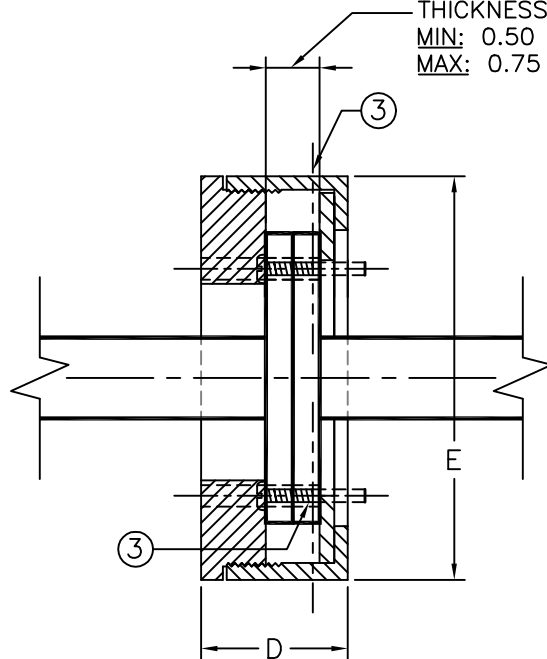
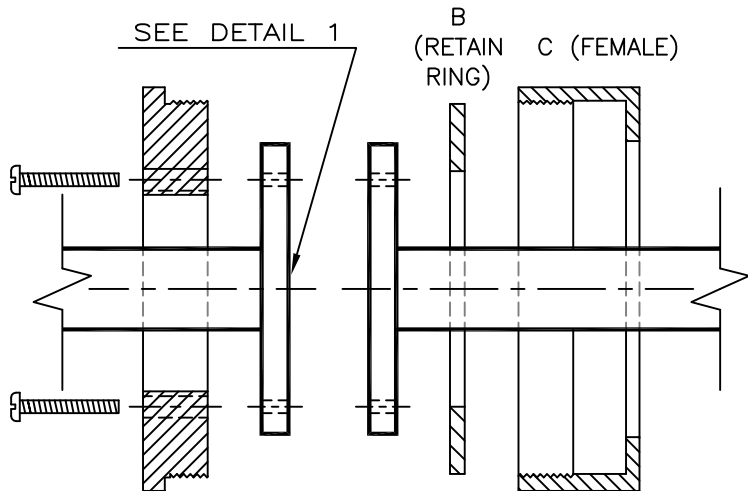


NOTES:

- ① MOUNT MALE TO FLANGE WITH SCREW PROJECTING FOR FLANGE ALIGNMENT. NOTE: FLANGE MUST BE TAPPED.
- ② MOUNT B TO C - SNAP FIT.
- ③ CUT NYLON SCREWS TO LENGTH SO AS NOT TO PROTRUDE THROUGH MATING FLANGE.
- ④ MATE FLANGES & SCREW TIGHT.

REVISIONS				
ZONE	REV	DESCRIPTION	DATE	APPROVED
	A	INITIAL RELEASE	4/11/01	

COMBINED FLANGE THICKNESS:
MIN: 0.50
MAX: 0.75



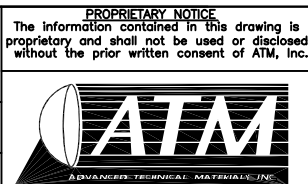
① HOLE LAYOUT

MODEL NO.	DIMENSION	
	D	E
QD-112	1.50 (38.1)	3.75 (95.3)
QD-137	1.50 (38.1)	3.75 (95.3)

FLANGE	HOLE SET
CPR137F/G	G
WR112 COVER	H
CPR112F/G	J

UNLESS OTHERWISE SPECIFIED DIMENSIONS ARE IN INCHES TOLERANCES ARE:
FRACTIONS DECIMALS ANGLES
1/64 .01° ±1/2
.005+ -

MATERIAL
6061
Aluminum
FINISH
XXXXXX
XXXXXX



DRAWN
R. LYNCH
CHECKED
APPROVED

DATE
4/11/01

ADVANCED TECHNICAL MATERIALS, INC.
49 RIDER AVENUE, PATCHOGUE N.Y. 11772
TEL: (516) 289-0363 FAX: (516) 289-0358

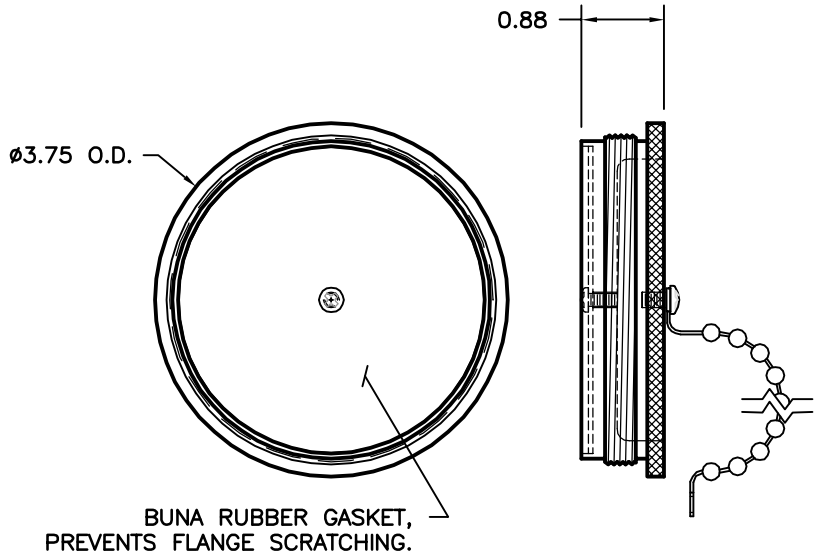
WR112/137 QUICK DISCONNECT
OUTLINE-INSTRUCTION

SIZE A	FSCM NO. OR8N4	DWG NO. 4221	REV A
-----------	-------------------	-----------------	----------

DONOT SCALE DRAWING

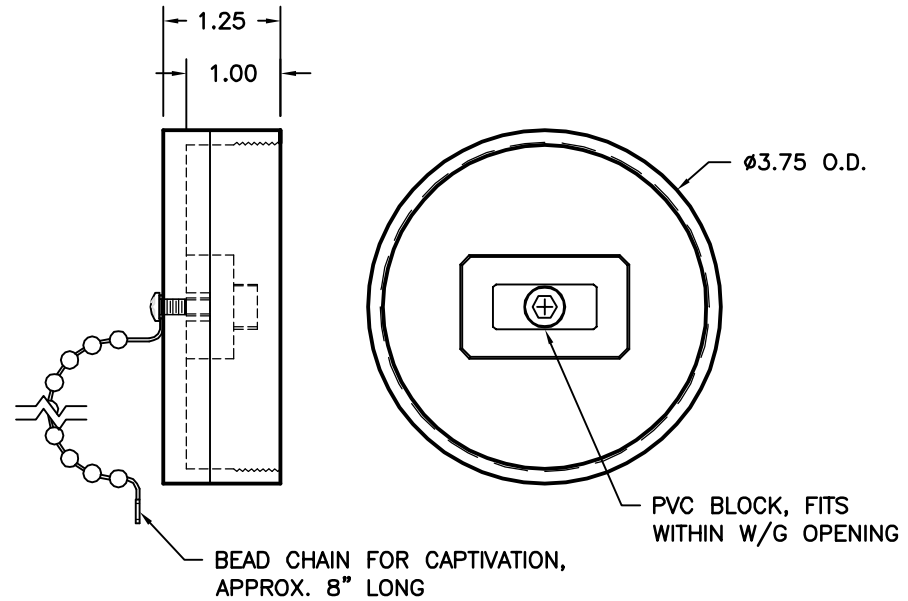
SCALE: None

SHEET 1 OF 1



BUNA RUBBER GASKET,
PREVENTS FLANGE SCRATCHING.

MALE DUSTCOVER
MATES TO FEMALE QUICK DISCONNECT



BEAD CHAIN FOR CAPTIVATION,
APPROX. 8" LONG

PVC BLOCK, FITS
WITHIN W/G OPENING

FEMALE DUSTCOVER
MATES TO MALE QUICK DISCONNECT

MATERIAL	ALUMINUM	TREATMENT	-	DRAWN	RL	DATE	10/12/05
FINISH	BLACK IRIDITE	MOD. NO.	QD-112-M/FDC	CHECKED		DATE	
DUST COVER, WR112 QUICK DISCONNECT						APPROVED	DATE
						CAGE CODE: ORBN4	DO NOT SCALE DWG
						ADVANCED TECHNICAL MATERIALS, INC. 49 RIDER AVE., PATCHOGUE N.Y. 11772 TEL: (631) 289-0363 FAX: (631) 289-0358 http://www.atmmicrowave.com	
				SCALE 1 : 2		DWG. NO. 7444	REV. -