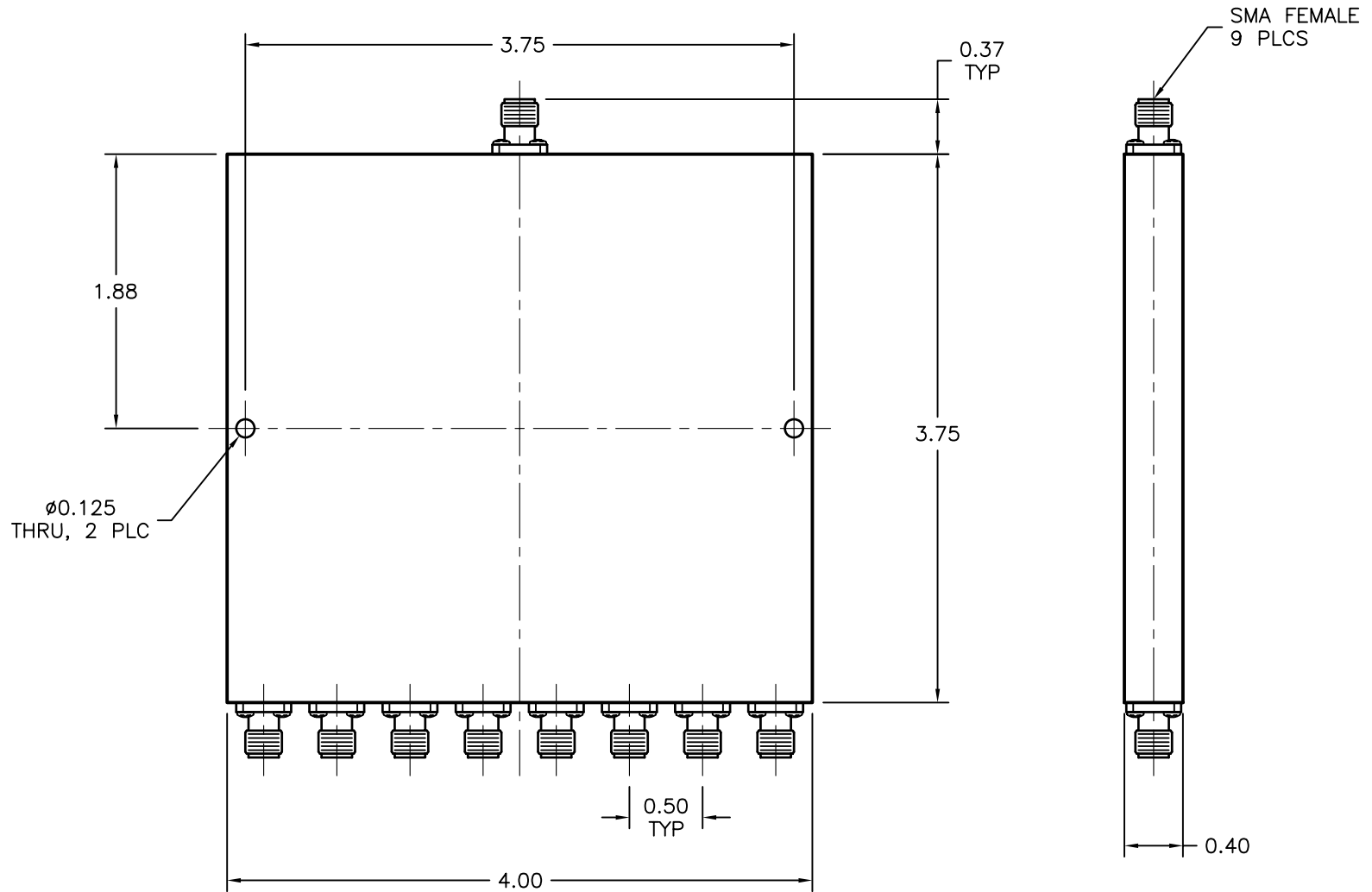


REV A	AUTH M.R.	DATE 03/04/11	INITIAL RELEASE
----------	--------------	------------------	-----------------



THIRD ANGLE PROJECTION:		APPROVALS	DATE	ADVANCED TECHNICAL MATERIALS, INC. TEL: (631) 289-0363 FAX: (631) 289-0358 www.atmmicrowave.com		<small>THE INFORMATION IN THIS DRAWING IS PROPRIETARY AND SHALL NOT BE USED OR DISCLOSED WITHOUT THE PRIOR WRITTEN CONSENT OF ATM, INC. DO NOT SCALE DWG.</small>	
UNLESS OTHERWISE NOTED, DIMENSIONS ARE IN INCHES, TOLERANCES ARE: FRACTIONS: $\pm 1/64$ ANGLES: $\pm 1/2^\circ$ MACHINED FINISH 63 \checkmark OR BETTER DECIMALS 2 PLACE 3 PLACE $\pm .01$ $\pm .005$		DRAWN M.R.	03/04/11				
		CHKD.		SIZE A	CAGE CODE OR8N4	ATM DWG # 12758	REVISION A
		APRVD.		MATERIAL ALUM BODY		SCALE N.T.S.	MODEL # P814HA
		TREATMENT CHEM FILM					
		FINISH ATM STD GRAY					