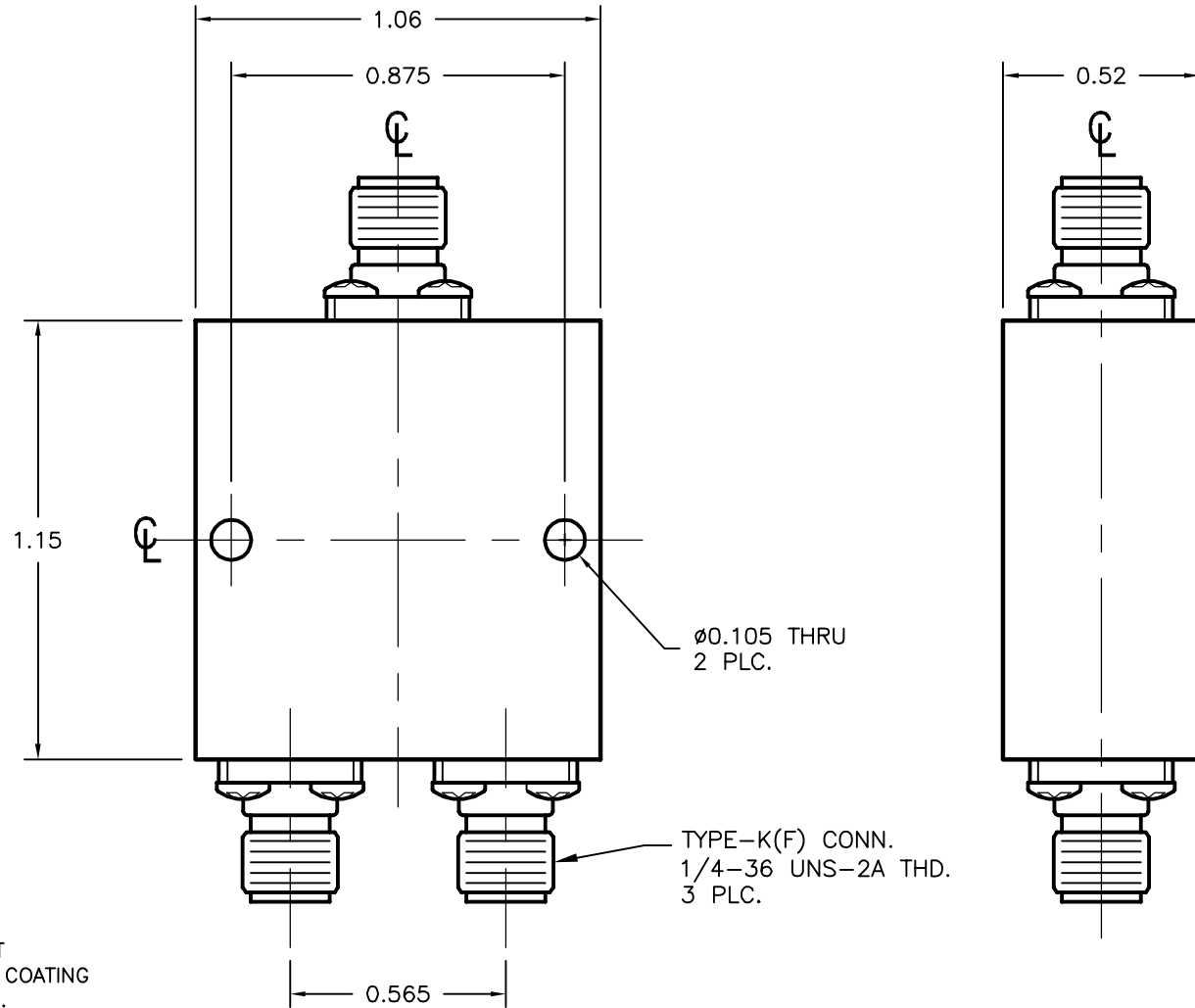


REV	AUTH	DATE	INITIAL RELEASE
-	RL	09/20/06	



MODEL SPECIFICATIONS

MECHANICAL

MODEL NUMBER: P2K9A
 MATERIAL: 6061/T-6 ALUM.
 BODY: STAINLESS STEEL
 CONNECTORS: UNIQUE CORROSION RESISTANT
 FINISH: 316 STAINLESS STEEL EPOXY COATING SPECIAL, PER CUSTOMER DWG.

ELECTRICAL

FREQ. RANGE: 10.0 - 40.0 GHz
 VSWR MAX.:
 IN: 1.6
 OUT: 1.5
 ISOLATION: 18dB
 INSERTION LOSS:
 10.0 - 18.0 GHz 1.5dB
 18.0 - 40.0 GHz 2.1dB
 AMP. BALANCE ±0.06 dB
 PHASE BALANCE ±6.0 dB

THIRD ANGLE PROJECTION:		APPROVALS	DATE	ADVANCED TECHNICAL MATERIALS, INC. TEL: (631) 289-0363 FAX: (631) 289-0358 www.atmmicrowave.com	<small>THE INFORMATION IN THIS DRAWING IS PROPRIETARY AND SHALL NOT BE USED OR DISCLOSED WITHOUT THE PRIOR WRITTEN CONSENT OF ATM, INC. DO NOT SCALE DWG.</small>	
UNLESS OTHERWISE NOTED, DIMENSIONS ARE IN INCHES, TOLERANCES ARE: FRACTIONS: ±1/64 ANGLES: ±1/2°		DRAWN RL CHKD. APRVD.	09/20/06			
BASIC DIMENSION	DECIMALS 2 PLACE 3 PLACE	MATERIAL SEE NOTES		OUTLINE, P2K9A 2-WAY POWER DIVIDER, TYPE-K		
UNDER 6"	±.02 ±.005	TREATMENT -				
6" - 12"	±.03 ±.010	FINISH SEE NOTES				
OVER 12"	±.06 ±.015			SIZE A SCALE 2 : 1	CAGE CODE 0R8N4 ATM DWG # 6629W MODEL # P2K9A	REVISION - SHEET 1/1