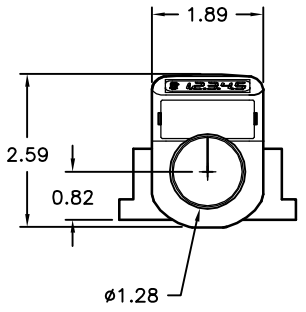
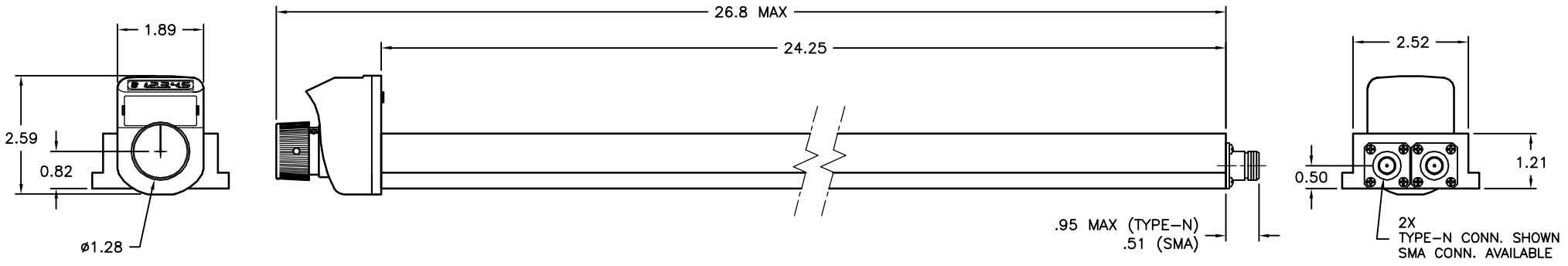
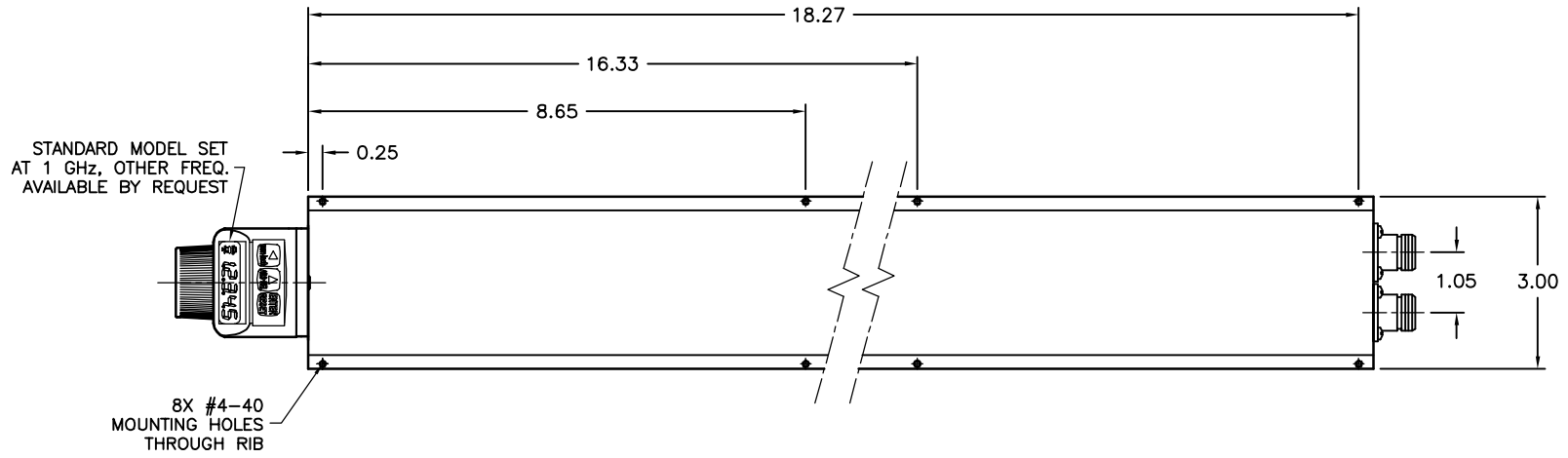


REV A	AUTH RL	DATE 7-16-01	INITIAL RELEASE
REV B	AUTH RL	DATE 12-16-15	UPDATE PER ECN# 5-19-15-01



NOTES:

- 1. ALL MODELS HAVE A RF POWER RATING OF 100W AVG & 3kW PEAK.

THIRD ANGLE PROJECTION:		APPROVALS	DATE	ADVANCED TECHNICAL MATERIALS, INC. TEL: (631) 289-0363 FAX: (631) 289-0358 www.atmmicrowave.com		THE INFORMATION IN THIS DRAWING IS PROPRIETARY AND SHALL NOT BE USED OR DISCLOSED WITHOUT THE PRIOR WRITTEN CONSENT OF ATM, INC. DO NOT SCALE DWG.	
UNLESS OTHERWISE NOTED, DIMENSIONS ARE IN INCHES. TOLERANCES ARE: FRACTIONS: ±1/64 ANGLES: ±1/2° MACHINED FINISH 63 ✓ OR BETTER		DRAWN RL	7/16/01	OUTLINE, PHASESHIFTER, 360°/GHz (24.0") - DIRECT READING OPTION		REVISION B	
DECIMALS 2 PLACE 3 PLACE		CHKD.				SIZE A	CAGE CODE OR8N4
±.01 ±.005		APRVD.		SCALE NTS	MODEL # P16DRXX	SHEET 1/1	
		MATERIAL -		ATM STD GREY			
		TREATMENT -					