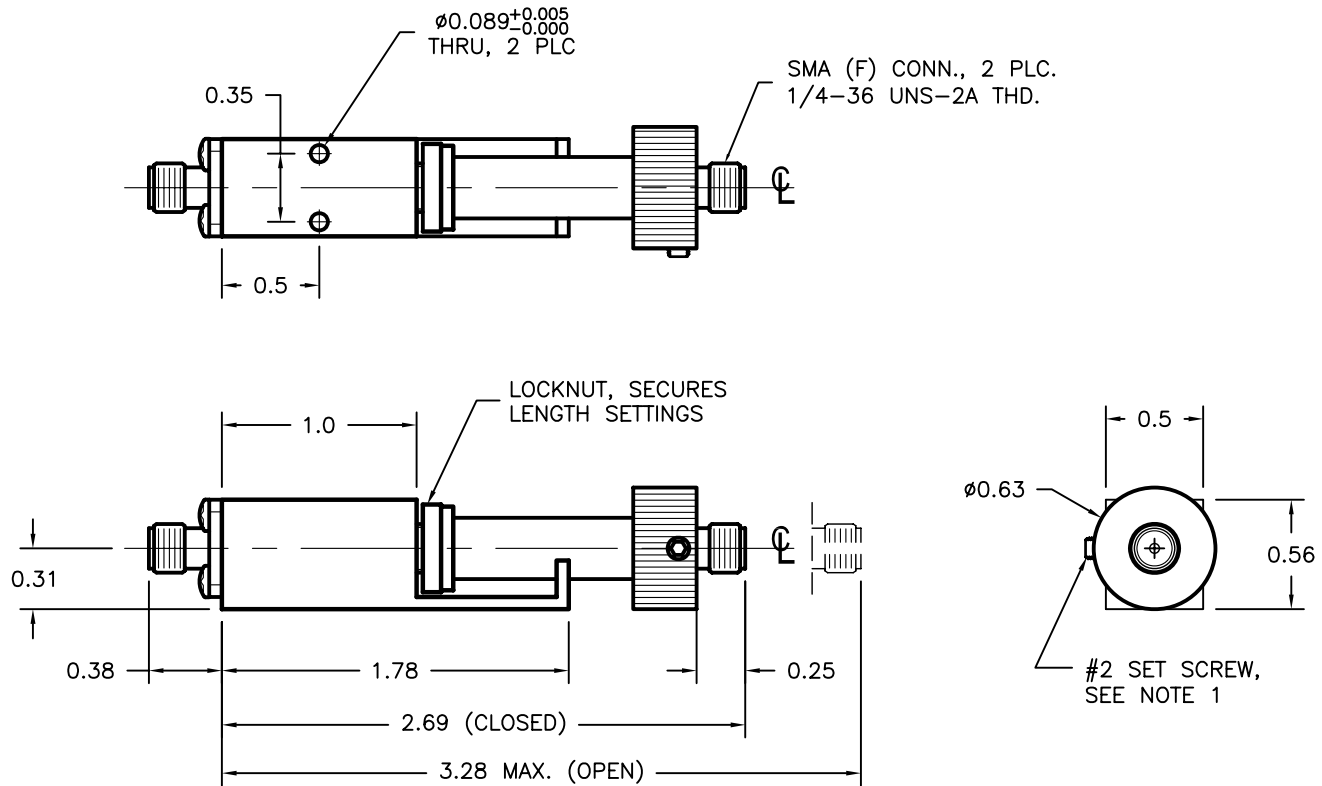


REV -	AUTH RL	DATE 9/21/03	INITIAL RELEASE
REV A	AUTH RL	DATE 05/10/04	DWG WAS: P1917 ONLY, IS: FOR ALL MODELS. ADDED SPEC. TABLE.
REV B	AUTH RL	DATE 10/18/05	ILLUSTRATION REVISED TO SHOW SHORTER ADJ. SCREW
REV C	AUTH RL	DATE 09/21/06	FORMAT UPDATE, REVISED CUP AND ADJUSTMENT SCREW SHOWN.
REV D	AUTH M.R.	DATE 10/14/10	ADDED TOLERANCE TO MOUNTING HOLES



NOTES:

1. LOOSENING THUMBSCREW ALLOWS LENGTH ADJUSTMENT WITHOUT DISCONNECTING CABLE.

FREQ. (GHz)	VSWR (MAX.)	MIN. PHASE ADJUST	I.L. dB (MAX.)	MODEL #
DC - 2.3	1.25	15°/GHz	0.2	P1913
DC - 4.3	1.3	15°/GHz	0.25	P1914
DC - 8.2	1.4	15°/GHz	0.30	P1915
DC - 12.7	1.5	15°/GHz	0.5	P1916
DC - 18.6	1.5	15°/GHz	0.5	P1917
DC - 26.5	1.6	15°/GHz	0.8	P1918

THIRD ANGLE PROJECTION:		APPROVALS	DATE		ADVANCED TECHNICAL MATERIALS, INC. TEL: (631) 289-0363 FAX: (631) 289-0358 www.atmmicrowave.com		THE INFORMATION IN THIS DRAWING IS PROPRIETARY AND SHALL NOT BE USED OR DISCLOSED WITHOUT THE PRIOR WRITTEN CONSENT OF ATM, INC. DO NOT SCALE DWG.		
UNLESS OTHERWISE NOTED, DIMENSIONS ARE IN INCHES. TOLERANCES ARE: FRACTIONS: $\pm 1/64$ ANGLES: $\pm 1/2^\circ$		DRAWN RL	09/21/03						
BASIC DIMENSION	DECIMALS 2 PLACE	3 PLACE	APRVD.			OUTLINE, SMA LINE STRETCHER			
UNDER 6"	$\pm .02$	$\pm .005$	MATERIAL -	SIZE A	CAGE CODE 0R8N4			ATM DWG # 3915	REVISION D
6" - 12"	$\pm .03$	$\pm .010$	TREATMENT -	SCALE 1 : 1	MODEL # SEE TABLE			SHEET 1/1	
OVER 12"	$\pm .06$	$\pm .015$	FINISH BRIGHT NICKEL						