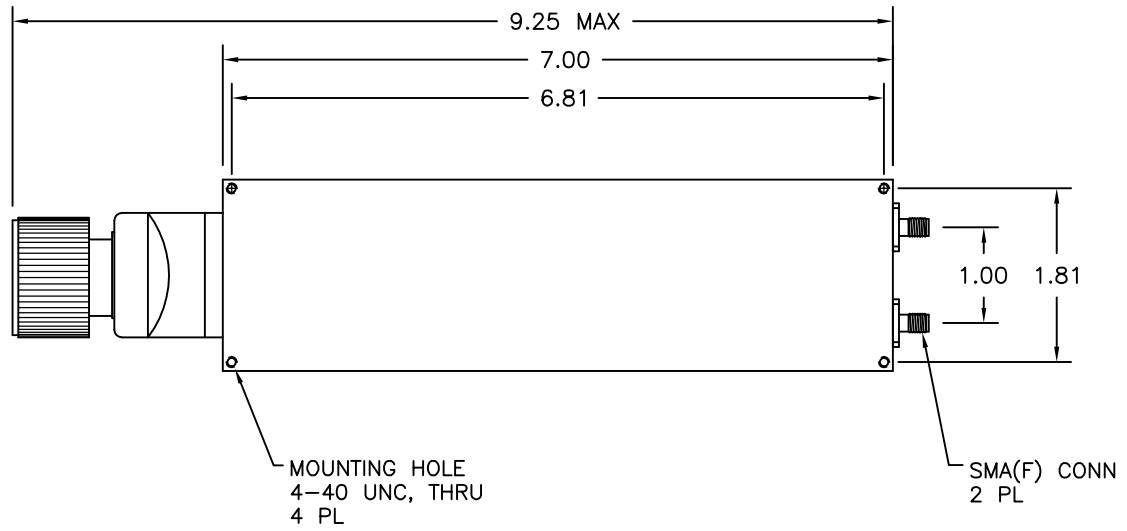
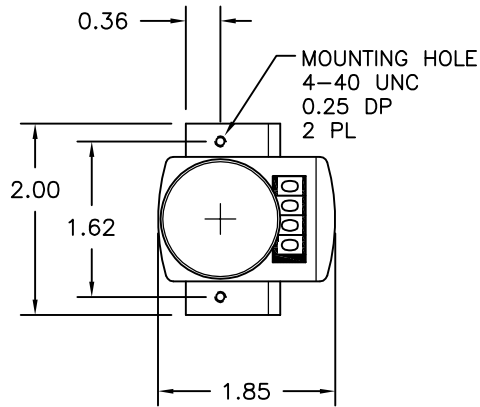
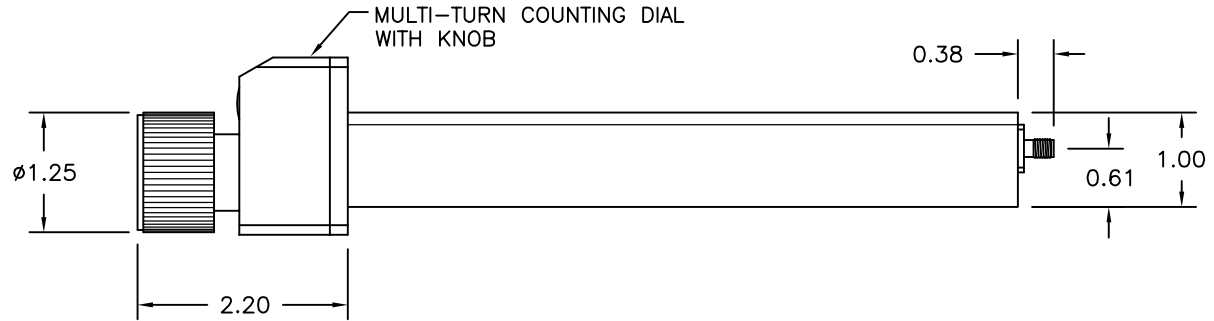


REV A	AUTH RL	DATE 07/13/01	INITIAL RELEASE
B	DM	07/30/12	ADDED 'DIAL POSITION' NOTE ; CORRECTED MODEL#



**\*DIAL ORIENTATION\***

UNIT SHIPPED FROM FACTORY WITH DIAL POSITIONED AS SHOWN.  
DIAL CAN BE REPOSITIONED BY CUSTOMER AS NEEDED.



**NOTES:**

- ALL MODELS HAVE AN RF POWER RATING OF 100W AVG & 3 KW PEAK.

THIRD ANGLE PROJECTION:		APPROVALS	DATE	<b>ADVANCED TECHNICAL MATERIALS, INC.</b> TEL: (631) 289-0363 FAX: (631) 289-0358 www.atmmicrowave.com		<small>THE INFORMATION IN THIS DRAWING IS PROPRIETARY AND SHALL NOT BE USED OR DISCLOSED WITHOUT THE PRIOR WRITTEN CONSENT OF ATM, INC. DO NOT SCALE DWG.</small>	
UNLESS OTHERWISE NOTED, DIMENSIONS ARE IN INCHES, TOLERANCES ARE:  FRACTIONS: ±1/64 ANGLES: ±1/2°  MACHINED FINISH 63 ✓ OR BETTER		DRAWN RL	07/13/01	<b>OUTLINE</b> <b>7.0" PHASESHIFTER - w/Digital Counting Dial</b>			
		CHKD.					
		APRVD.		SIZE A	CAGE CODE OR8N4	ATM DWG # 4437w	REVISION B
DECIMALS 2 PLACE   3 PLACE		MATERIAL -		SCALE NONE	MODEL # P16xxD		SHEET 1/1
±.01	±.005	ATM STD GRAY					