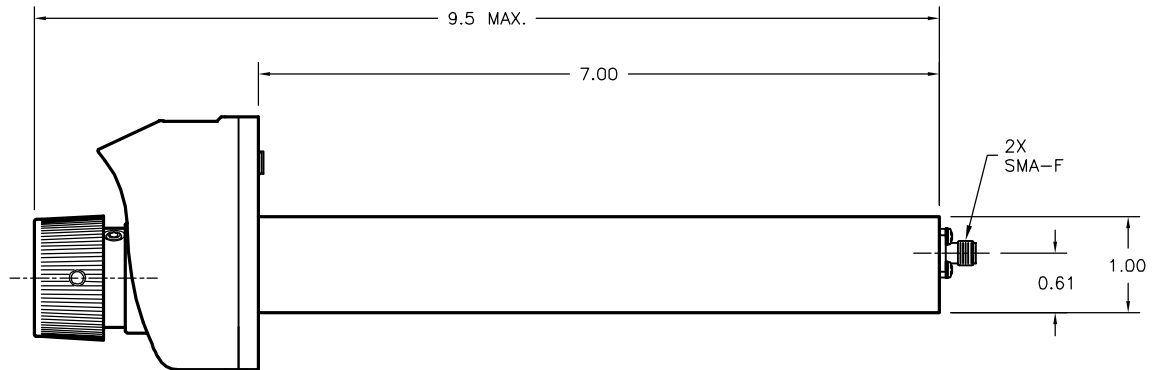
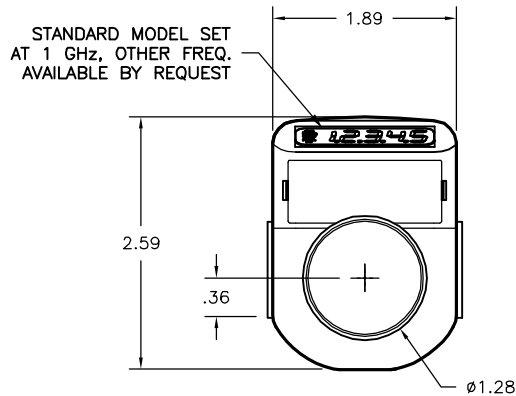
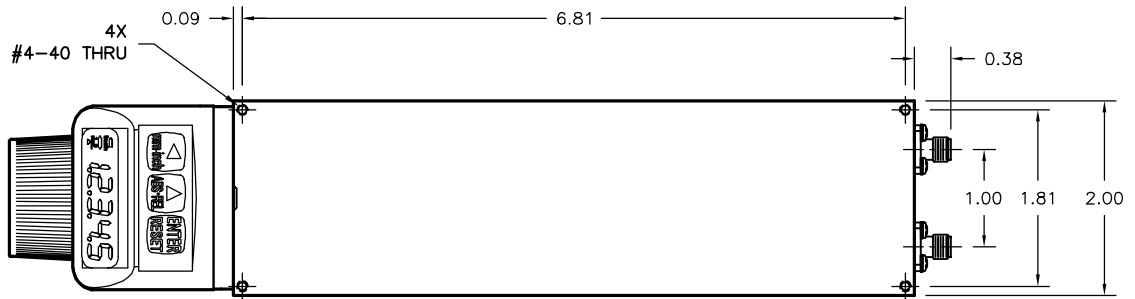


REV A	AUTH RL	DATE 7-13-01	INITIAL RELEASE
REV B	AUTH RL	DATE 12-16-15	UPDATE PER ECN# 5-19-15-01



NOTES:

- ALL MODELS HAVE A RF POWER RATING OF 100W AVG & 3kW PEAK.

THIRD ANGLE PROJECTION:		APPROVALS	DATE	ADVANCED TECHNICAL MATERIALS, INC. TEL: (631) 289-0363 FAX: (631) 289-0358 www.atmmicrowave.com		<small>THE INFORMATION IN THIS DRAWING IS PROPRIETARY AND SHALL NOT BE USED OR DISCLOSED WITHOUT THE PRIOR WRITTEN CONSENT OF ATM, INC. DO NOT SCALE DWG.</small>	
UNLESS OTHERWISE NOTED, DIMENSIONS ARE IN INCHES. TOLERANCES ARE: FRACTIONS: ±1/64 ANGLES: ±1/2° MACHINED FINISH 63 ✓ OR BETTER		DRAWN RL	7/13/01	OUTLINE, PHASESHIFTER, 90°/GHz (7.0") - DIRECT READING OPTION			
		CHKD.					
		APRVD.		SIZE A	CAGE CODE OR8N4	ATM DWG # 4438W	REVISION B
		MATERIAL -		SCALE 1 : 1	MODEL # P16DRXX		SHEET 1/1
DECIMALS 2 PLACE 3 PLACE ±.01 ±.005		TREATMENT -					
		FINISH -					