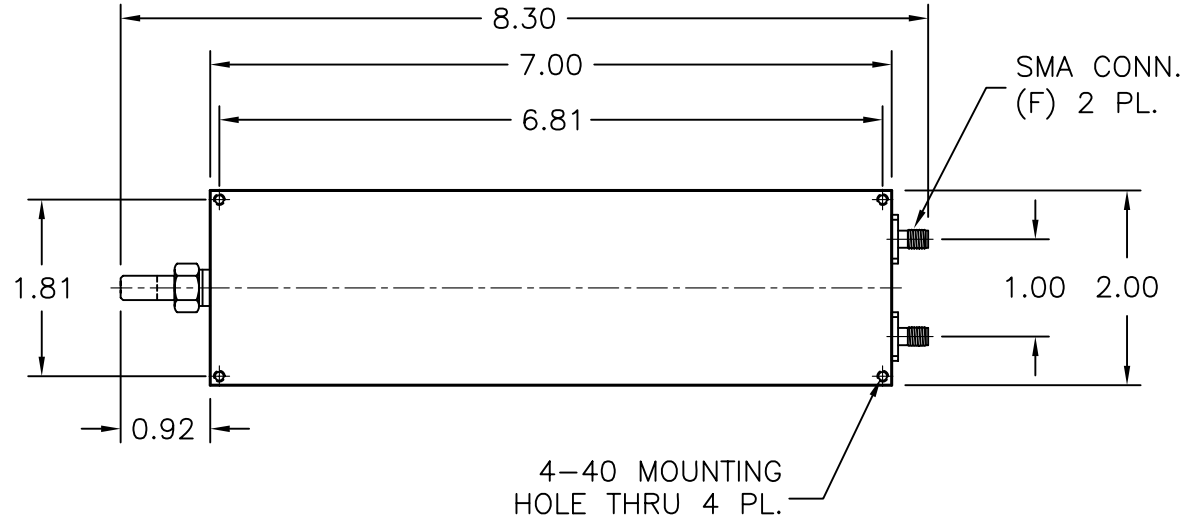
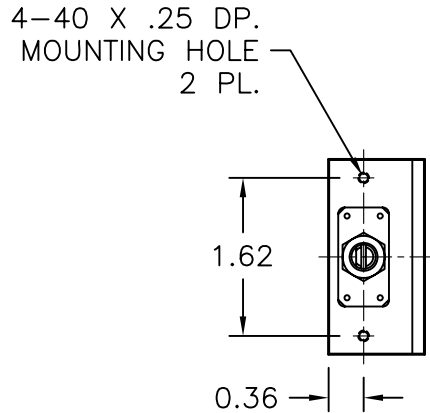
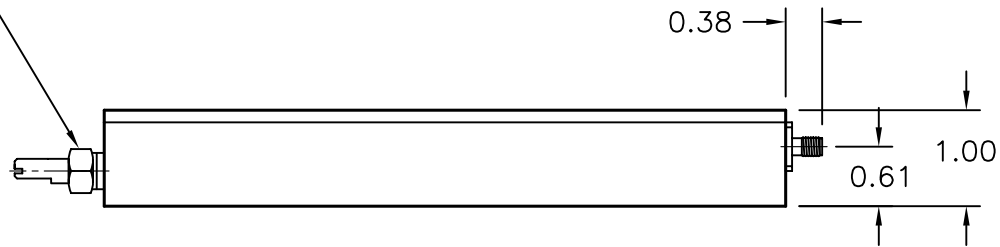


REV A	AUTH R.L.	DATE 07/13/01	INITIAL RELEASE
REV B	AUTH M.R.	DATE 11/14/11	FORMAT UPDATE, ADDED LOCKNUT, UPDATED NOTE. TITLE UPDATED



Ø.25 SHAFT WITH
SCREWDRIVER SLOT,
3/8-32UNEF
THREADED HUB
AND SHAFT LOCK



NOTES:

1. ALL STANDARD MODELS COME WITH LOCK NUT & KNOB
2. ALL MODELS HAVE AN RF POWER RATING OF 100W AVERAGE & 3 KW PEAK

THIRD ANGLE PROJECTION:		APPROVALS	DATE	ADVANCED TECHNICAL MATERIALS, INC. TEL: (631) 289-0363 FAX: (631) 289-0358 www.atmmicrowave.com		THE INFORMATION IN THIS DRAWING IS PROPRIETARY AND SHALL NOT BE USED OR DISCLOSED WITHOUT THE PRIOR WRITTEN CONSENT OF ATM, INC. DO NOT SCALE DWG.	
UNLESS OTHERWISE NOTED, DIMENSIONS ARE IN INCHES. TOLERANCES ARE: FRACTIONS: ±1/64 ANGLES: ±1/2° MACHINED FINISH 63 ✓ OR BETTER		DRAWN R.L.	07/13/01	OULTINE, 90°/GHz PHASESHIFTER – STD. SHAFT			
		CHKD.					
		APRVD.					
DECIMALS 2 PLACE 3 PLACE		MATERIAL ALUM ALLOY BODY		SIZE A	CAGE CODE OR8N4	ATM DWG # 4436W	REVISION B
±.01	±.005	TREATMENT CHEM FILM		SCALE 1 : 1	MODEL # P160XX	SHEET 1/1	
		FINISH ATM STD. GRAY					