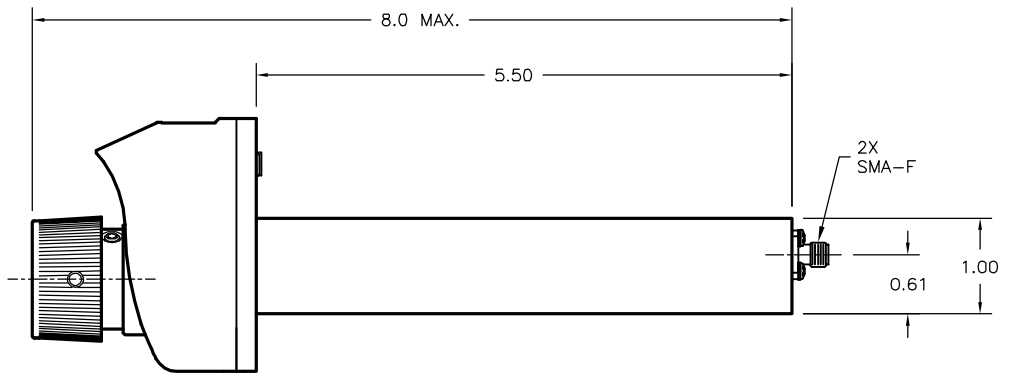
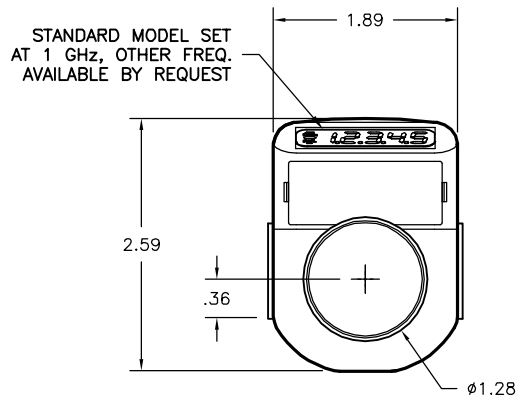
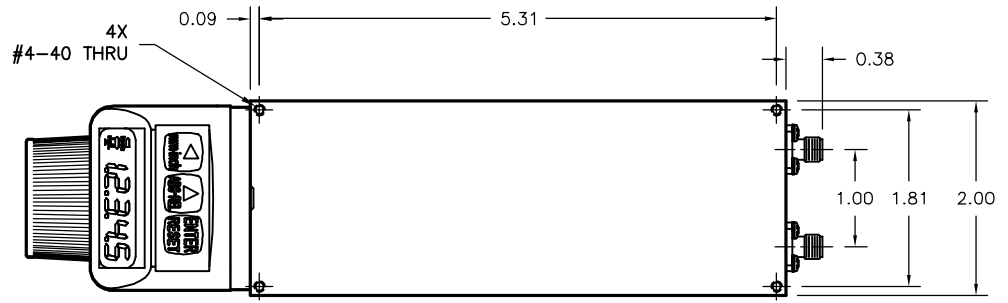


REV A	AUTH RL	DATE 7-13-01	INITIAL RELEASE
REV B	AUTH RL	DATE 12-14-15	UPDATE PER ECN# 5-19-15-01



NOTES:

1. ALL MODELS HAVE A RF POWER RATING OF 100W AVG & 3kW PEAK.

THIRD ANGLE PROJECTION:		APPROVALS	DATE	ADVANCED TECHNICAL MATERIALS, INC. TEL: (631) 289-0363 FAX: (631) 289-0358 www.atmmicrowave.com		<small>THE INFORMATION IN THIS DRAWING IS PROPRIETARY AND SHALL NOT BE USED OR DISCLOSED WITHOUT THE PRIOR WRITTEN CONSENT OF ATM, INC. DO NOT SCALE DWG.</small>	
UNLESS OTHERWISE NOTED, DIMENSIONS ARE IN INCHES. TOLERANCES ARE: FRACTIONS: $\pm 1/64$ ANGLES: $\pm 1/2^\circ$ MACHINED FINISH 63 \checkmark OR BETTER		DRAWN RL CHKD. APRVD.	7/13/01				
DECIMALS 2 PLACE 3 PLACE ± 0.01 ± 0.005		MATERIAL -	TREATMENT -	OUTLINE, PHASESHIFTER, 60°/GHz (5.50") - DIRECT READING OPTION		SIZE A	REVISION B
		CAGE CODE OR8N4	ATM DWG# 4435W	SCALE 1 : 1	MODEL # P15DRXX	SHEET 1/1	