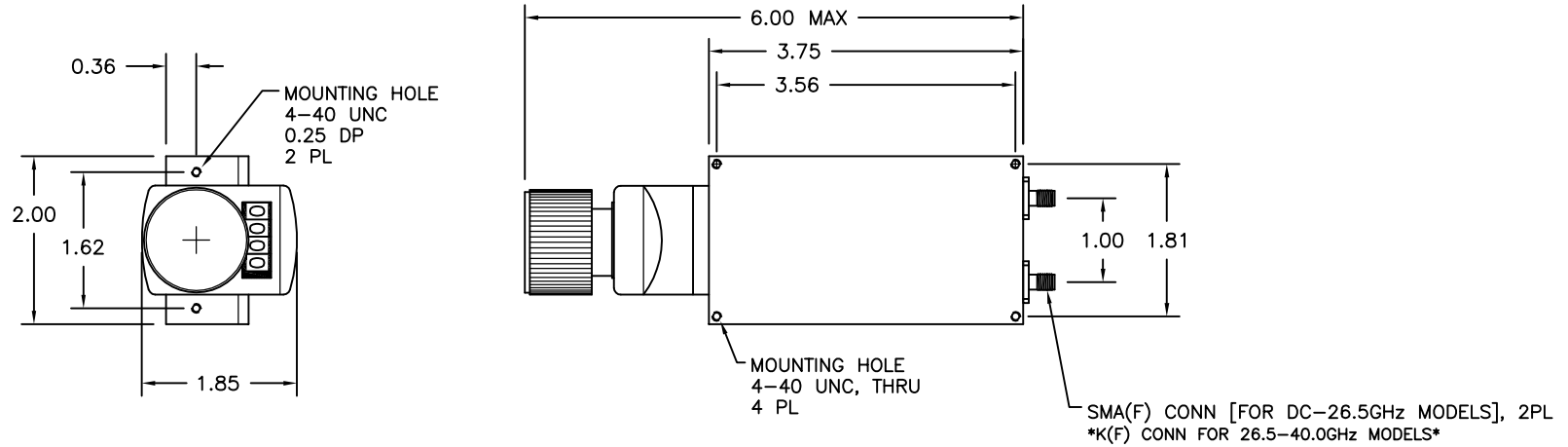
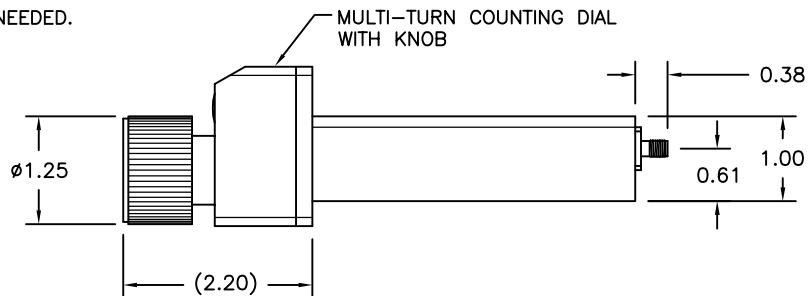


REV	AUTH	DATE	INITIAL RELEASE
A	RL	07/12/01	INITIAL RELEASE
B	RL	12/23/04	DIMS STYLE UPDATED ; MAX DIMS ADDED
C	RL	01/08/05	ROTATED DIAL 180° ; CONNECTOR NOTES, DIMENSIONING REVISED
D	DM	02/19/14	ADDED 'DIAL POSITION' NOTE ; CORRECTED MODEL# ; FLIPPED PS BODY (COVER ON TOP)



**\*DIAL ORIENTATION\***

UNIT SHIPPED FROM FACTORY WITH DIAL POSITIONED AS SHOWN.  
DIAL CAN BE REPOSITIONED BY CUSTOMER AS NEEDED.



**NOTES:**

- ALL MODELS HAVE AN RF POWER RATING OF 100W AVG & 3 KW PEAK.

THIRD ANGLE PROJECTION:		APPROVALS	DATE	<b>ADVANCED TECHNICAL MATERIALS, INC.</b> TEL: (631) 289-0363 FAX: (631) 289-0358 www.atmmicrowave.com		THE INFORMATION IN THIS DRAWING IS PROPRIETARY AND SHALL NOT BE USED OR DISCLOSED WITHOUT THE PRIOR WRITTEN CONSENT OF ATM, INC. DO NOT SCALE DWG.		
UNLESS OTHERWISE NOTED, DIMENSIONS ARE IN INCHES, TOLERANCES ARE:  FRACTIONS: ±1/64 ANGLES: ±1/2°  MACHINED FINISH 63 ✓ OR BETTER		DRAWN RL	07/12/01	<b>OUTLINE</b> 3.75" PHASESHIFTER - w/Digital Counting Dial				
		CHKD.						
		APRVD.		SIZE A		CAGE CODE OR8N4	ATM DWG # 4431w	REVISION D
DECIMALS 2 PLACE 3 PLACE		MATERIAL -		SCALE NONE		MODEL # P14xxD	SHEET 1/1	
±.01	±.005	ATM STD GRAY						