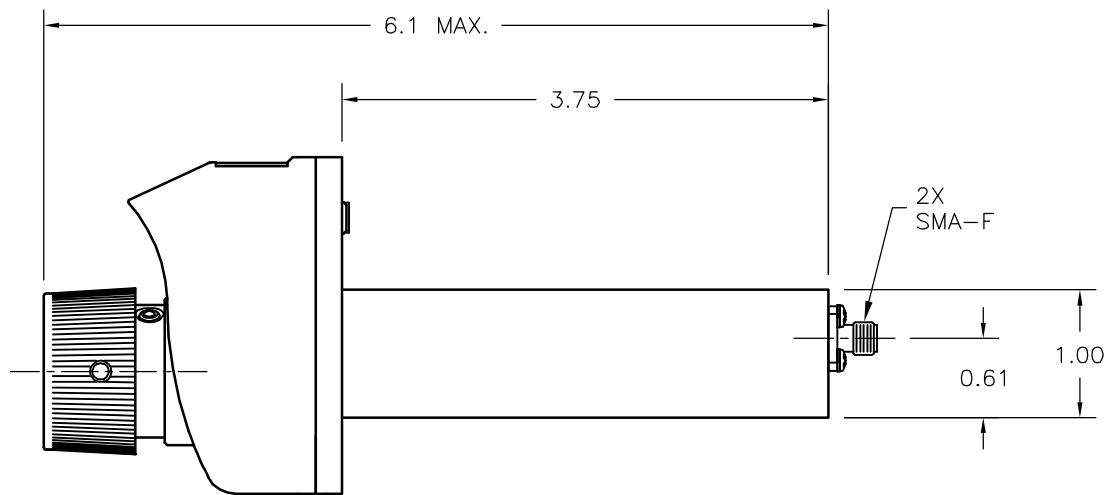
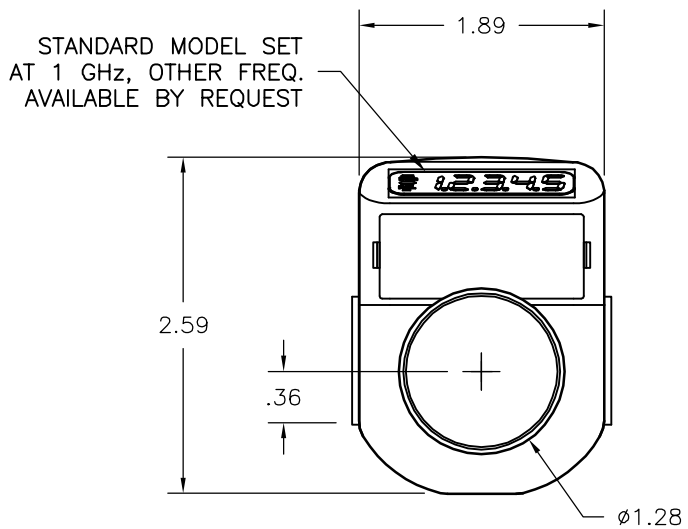
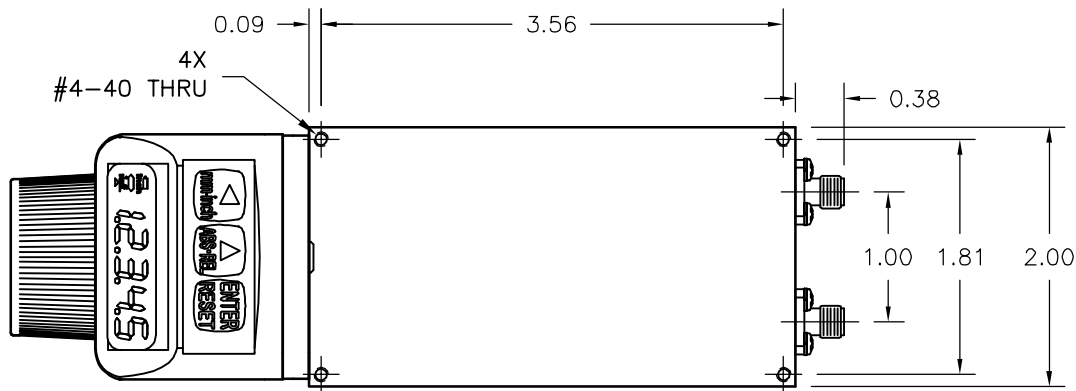


REV A	AUTH RL	DATE 7-12-01	INITIAL RELEASE
REV B	AUTH RL	DATE 12-14-15	UPDATE PER ECN# 5-19-15-01



NOTES:

- ALL MODELS HAVE A RF POWER RATING OF 100W AVG & 3kW PEAK.

THIRD ANGLE PROJECTION:		APPROVALS	DATE	ADVANCED TECHNICAL MATERIALS, INC. TEL: (631) 289-0363 FAX: (631) 289-0358 www.atmmicrowave.com		<small>THE INFORMATION IN THIS DRAWING IS PROPRIETARY AND SHALL NOT BE USED OR DISCLOSED WITHOUT THE PRIOR WRITTEN CONSENT OF ATM, INC. DO NOT SCALE DWG.</small>	
UNLESS OTHERWISE NOTED, DIMENSIONS ARE IN INCHES. TOLERANCES ARE:		DRAWN RL	7/12/01	OUTLINE, PHASESHIFTER, 30°/GHz (3.75") – DIRECT READING OPTION		SIZE A CAGE CODE OR8N4 ATM DWG# 4432W REVISION B	
FRACTIONS: ±1/64 ANGLES: ±1/2°		CHKD.				SCALE 1 : 1 MODEL # P14DRXX SHEET 1/1	
MACHINED FINISH 63 ✓ OR BETTER		APRVD.					
DECIMALS 2 PLACE 3 PLACE		MATERIAL -					
±.01 ±.005		TREATMENT -					
		FINISH -					