

SPECIFICATIONS:

WAVEGUIDE SIZE \_\_\_\_\_

DIMENSIONS:

"A" \_\_\_\_\_

"B" \_\_\_\_\_

"C" \_\_\_\_\_

FLANGE TYPES: (SEE TABLE)

FLANGE 1: \_\_\_\_\_

FLANGE 2: \_\_\_\_\_

MATERIAL (CHECK ONE)

ALUMINUM ALLOY \_\_\_\_\_

BRASS/COPPER \_\_\_\_\_

CLERICAL INFO:

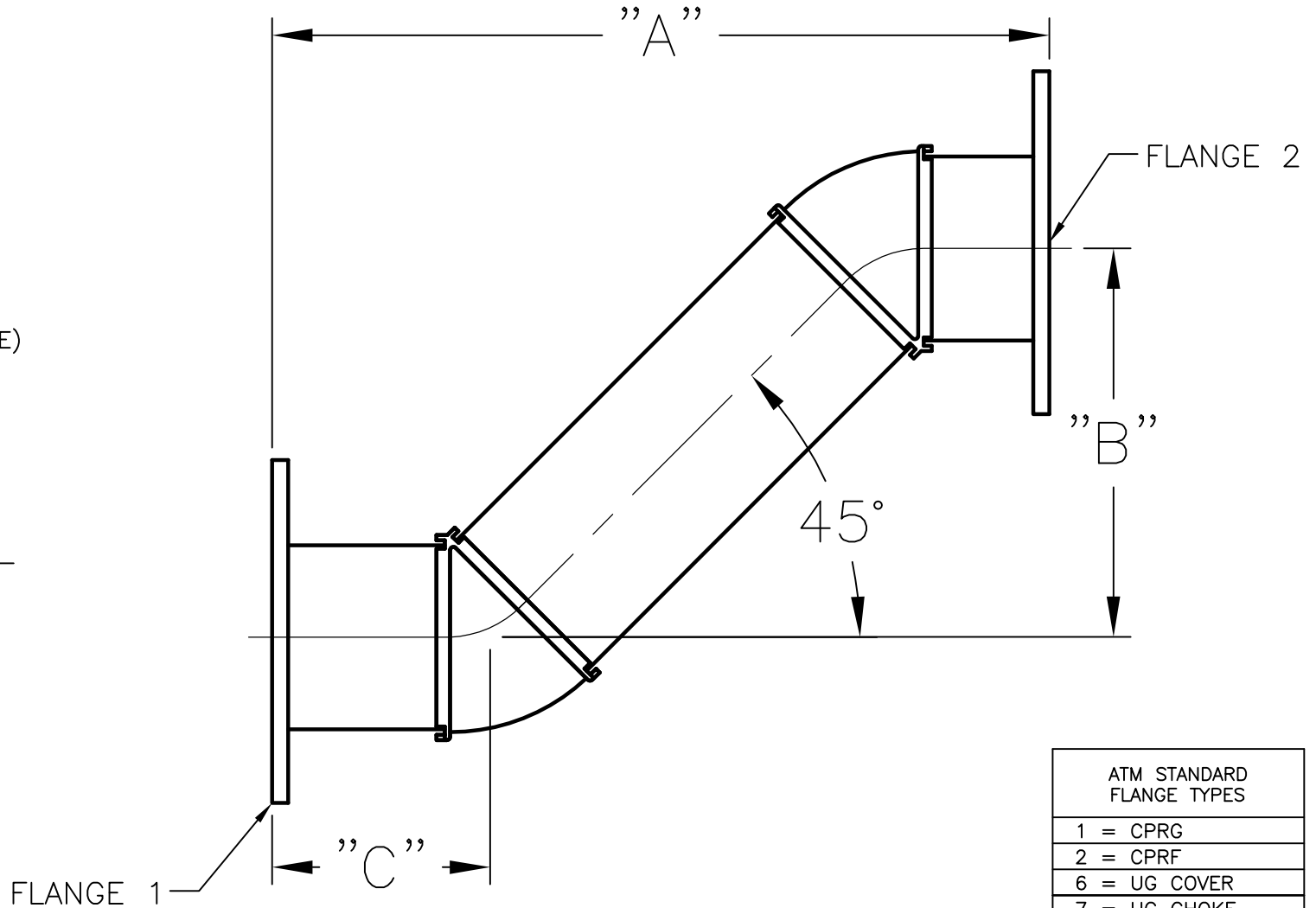
INTERNAL USE ONLY

CUSTOMER: \_\_\_\_\_

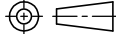

CONTACT: \_\_\_\_\_

DATE: \_\_\_\_\_

MODEL NUMBER: \_\_\_\_\_



ATM STANDARD FLANGE TYPES	
1	= CPRG
2	= CPRF
6	= UG COVER
7	= UG CHOKE
8	= COVER-GROOVE

THIRD ANGLE PROJECTION:  UNLESS OTHERWISE NOTED, DIMENSIONS ARE IN INCHES, TOLERANCES ARE: FRACTIONS: ±1/64 ANGLES: ±1/2° MACHINED FINISH 63 ✓ OR BETTER	APPROVALS DRAWN L.M. CHKD. APRVD.	DATE 9/25/13	 <b>ADVANCED TECHNICAL MATERIALS, INC.</b> TEL: (631) 289-0363 FAX: (631) 289-0358 www.atmmicrowave.com <small>THE INFORMATION IN THIS DRAWING IS PROPRIETARY AND SHALL NOT BE USED OR DISCLOSED WITHOUT THE PRIOR WRITTEN CONSENT OF ATM, INC. DO NOT SCALE DWG.</small>			
	MATERIAL _ TREATMENT _			45 deg HH MITER BEND WORKSHEET		
	DECIMALS 2 PLACE   3 PLACE ±.01   ±.005	SIZE A		CAGE CODE OR8N4	ATM DWG # 15228	REVISION A
	SCALE 1 : 1	MODEL # 15228		SHEET 1/1		