

SPECIFICATIONS:

WAVEGUIDE SIZE \_\_\_\_\_

DIMENSIONS:

"A" \_\_\_\_\_

"B" \_\_\_\_\_

"C" \_\_\_\_\_

FLANGE TYPES: (SEE TABLE)

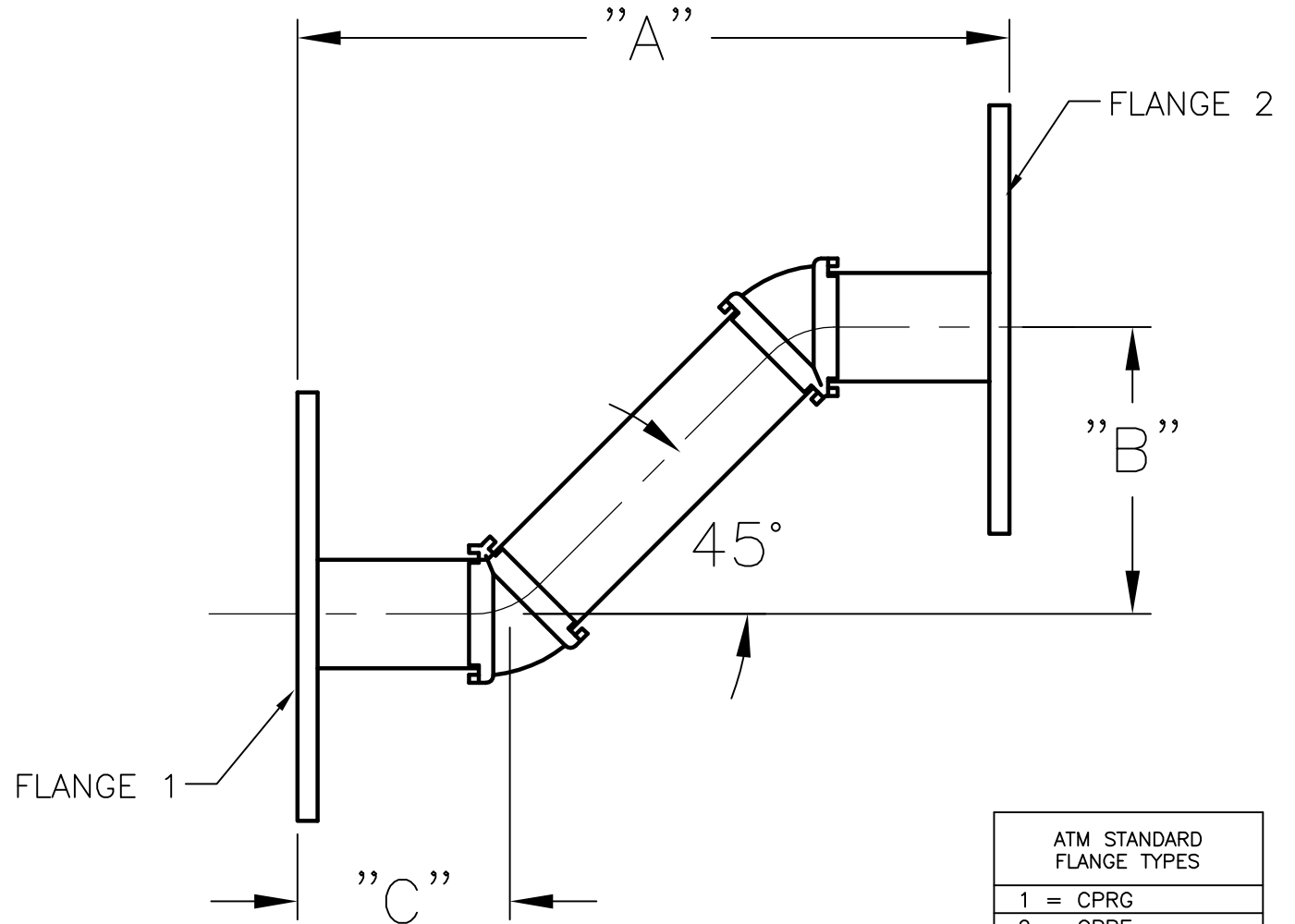
FLANGE 1: \_\_\_\_\_

FLANGE 2: \_\_\_\_\_

MATERIAL (CHECK ONE)

ALUMINUM ALLOY \_\_\_\_\_

BRASS/COPPER \_\_\_\_\_



ATM STANDARD FLANGE TYPES	
1	= CPRG
2	= CPRF
6	= UG COVER
7	= UG CHOKE
8	= COVER-GROOVE

CLERICAL INFO:

INTERNAL USE ONLY

CUSTOMER: \_\_\_\_\_

CONTACT: \_\_\_\_\_

DATE: \_\_\_\_\_

MODEL NUMBER: \_\_\_\_\_

THIRD ANGLE PROJECTION:		APPROVALS	DATE	<b>ADVANCED TECHNICAL MATERIALS, INC.</b> TEL: (631) 289-0363 FAX: (631) 289-0358 www.atmmicrowave.com		<small>THE INFORMATION IN THIS DRAWING IS PROPRIETARY AND SHALL NOT BE USED OR DISCLOSED WITHOUT THE PRIOR WRITTEN CONSENT OF ATM, INC. DO NOT SCALE DWG.</small>	
UNLESS OTHERWISE NOTED, DIMENSIONS ARE IN INCHES, TOLERANCES ARE:  FRACTIONS: ±1/64 ANGLES: ±1/2°  MACHINED FINISH 63 ✓ OR BETTER		DRAWN L.M.	9/25/13				
		CHKD.					
		APRVD.					
DECIMALS 2 PLACE   3 PLACE  ±.01   ±.005		MATERIAL	—	45 deg EE MITER BEND WORKSHEET		REVISION	A
		TREATMENT	—	SIZE A	CAGE CODE OR8N4	ATM DWG #	SCALE 1 : 1 MODEL # 15227 SHEET 1/1