

SPECIFICATIONS:

WAVEGUIDE SIZE _____

DIMENSIONS:

"A" _____

"B" _____

"C" _____

FLANGE TYPES: (SEE TABLE)

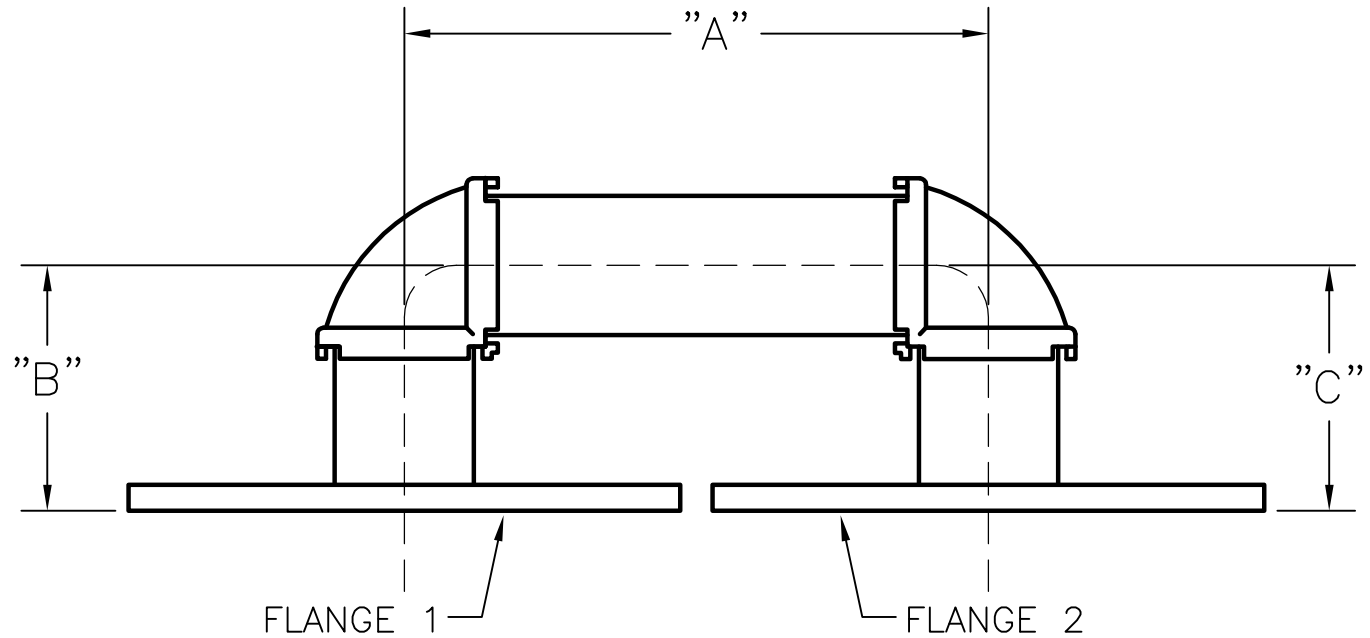
FLANGE 1: _____

FLANGE 2: _____

MATERIAL (CHECK ONE)

ALUMINUM ALLOY _____

BRASS/COPPER _____



CLERICAL INFO:

INTERNAL USE ONLY

CUSTOMER: _____

CONTACT: _____

DATE: _____

MODEL NUMBER: _____

ATM STANDARD FLANGE TYPES	
1	= CPRG
2	= CPRF
6	= UG COVER
7	= UG CHOKE
8	= COVER-GROOVE

THIRD ANGLE PROJECTION:		APPROVALS	DATE	ADVANCED TECHNICAL MATERIALS, INC. TEL: (631) 289-0363 FAX: (631) 289-0358 www.atmmicrowave.com		<small>THE INFORMATION IN THIS DRAWING IS PROPRIETARY AND SHALL NOT BE USED OR DISCLOSED WITHOUT THE PRIOR WRITTEN CONSENT OF ATM, INC. DO NOT SCALE DWG.</small>			
UNLESS OTHERWISE NOTED, DIMENSIONS ARE IN INCHES, TOLERANCES ARE: FRACTIONS: ±1/64 ANGLES: ±1/2° MACHINED FINISH 63 ✓ OR BETTER		DRAWN L.M.	9/25/13						
DECIMALS 2 PLACE 3 PLACE		CHKD.		180 deg EE MITER BEND WORKSHEET		SIZE A	CAGE CODE OR8N4	ATM DWG #	REVISION A
±.01	±.005	APRVD.				SCALE 1 : 1	MODEL # 15231	SHEET 1/1	