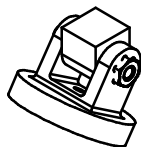


**X-SMALL MOUNT**

**APPLICATIONS:**

- 112-440-X
- 102-440-X
- 90-440-X
- 75-440-X
- 75-441-X
- 62-440-X
- 62-441-X
- 51-440-X
- 51-441-X
- 51-442-X
- 42-440-X
- 42-441-X
- 42-442-X
- 34-440-X
- 34-441-X
- 34-442-X
- 28-440-X
- 28-441-X
- 28-442-X

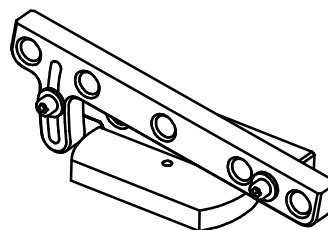


**SMALL MOUNT**

**APPLICATIONS:**

- 650-440-X
- 430-440-X
- 340-440-X
- 340-441-X
- 284-440-X
- 284-441-X
- 229-440-X
- 229-441-X
- 187-440-X
- 187-441-X
- 187-442-X
- 159-440-X
- 159-441-X
- 159-442-X
- 137-440-X
- 137-441-X
- 137-442-X
- 112-441-X
- 102-441-X
- 102-449-X/17
- 102-442-X
- 90-441-X
- 90-442-X
- 90-443-X
- 75-442-X
- 62-449-X/17.5
- 62-442-X
- 62-449-X/24
- 42-449-X/24
- 28-449-X/24

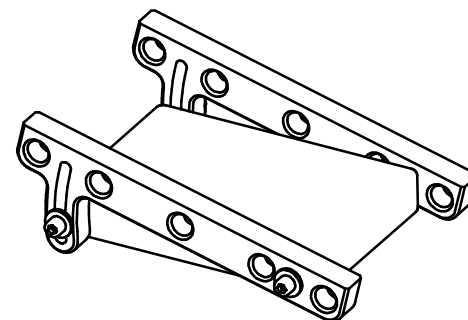
REVISION HISTORY			
REV	AUTH	DATE	DESCRIPTION
A	-	01/18/2008	INITIAL RELEASE
B	M.R.	04/15/2009	28-442-X, 42-442-X, MOVED TO X-SMALL LIST
C	M.R.	10/01/2009	90-440-X MOVED TO X-SMALL LIST
D	M.R.	05/17/11	51-441-X, 51-442-X, 62-441-X, MOVED TO X-SMALL LIST
E	M.R.	06/03/11	42-441-X, 34-441-X, 34-442-X, MOVED TO X-SMALL LIST
F	BF	10-17-11	75-441-6 MOVE TO X-SMALL MOUNT LIST
G	M.R.	08/24/12	284-442-X, MOVED TO MEDIUM LIST
H	M.R.	09/20/12	650-441-X, MOVED TO MEDIUM LIST
J	BF	3-7-14	ADD 90-443-X TO SMALL MNT, REMOVE 90-449-X/24 FROM MED MNT
K	BF	3-21-14	MOVE 112-440X AND 102-440X FROM SMALL MNT TO X-SMALL MNT



**MEDIUM MOUNT**

**APPLICATIONS:**

- 650-441-X
- 430-441-X
- 284-442-X
- 229-442-X
- 112-449-X/24



**LARGE MOUNT**

**APPLICATIONS:**

- 430-442-X
- 340-442-X

THIRD ANGLE PROJECTION:		APPROVALS	DATE	<b>ADVANCED TECHNICAL MATERIALS, INC.</b> TEL: (631) 289-0363 FAX: (631) 289-0358 www.atmmicrowave.com		<small>THE INFORMATION IN THIS DRAWING IS PROPRIETARY AND SHALL NOT BE USED OR DISCLOSED WITHOUT THE PRIOR WRITTEN CONSENT OF ATM, INC. DO NOT SCALE DWG.</small>	
UNLESS OTHERWISE NOTED, DIMENSIONS ARE IN INCHES, TOLERANCES ARE: FRACTIONS: ±1/64 ANGLES: ±1/2°				DRAWN M.R.		<b>HORN MOUNT APPLICATIONS</b>	
				CHKD.			
				APRVD.			
BASIC DIMENSION	DECIMALS 2 PLACE	DECIMALS 3 PLACE	MATERIAL	SIZE	CAGE CODE	ATM DWG #	REVISION
UNDER 6"	±.02	±.005	-	A	0R8N4	7994	K
6" - 12"	±.03	±.010	TREATMENT	MODEL #		XXX-44X-X	SHEET
OVER 12"	±.06	±.015	FINISH				1