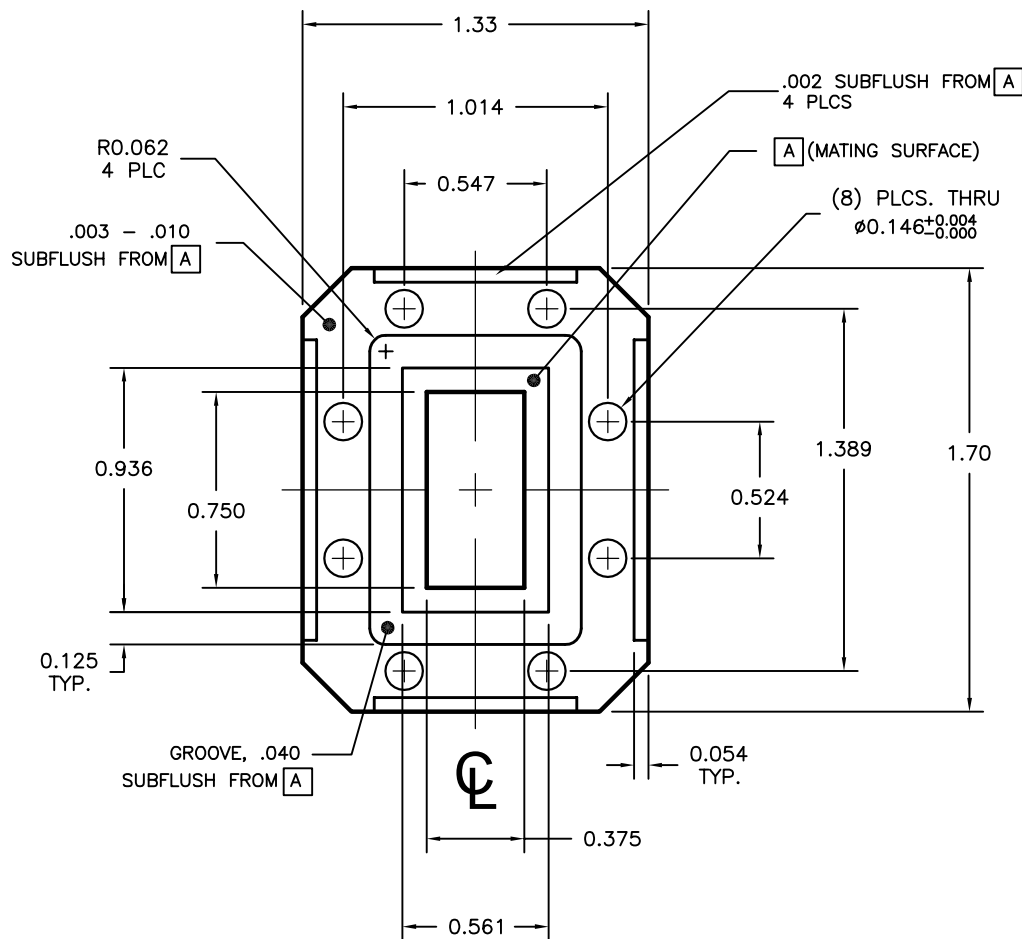
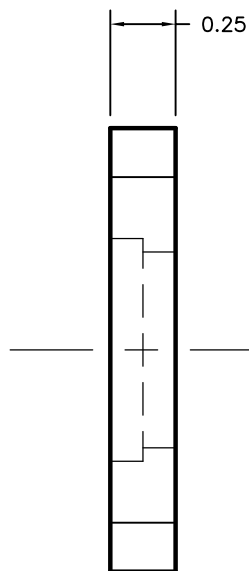



EQUIVALENT TO;

| TYPE | MATERIAL |
|--------|----------|
| CPR75G | ALUMINUM |
| | BRASS |



NOTES:

- ALL DRAWINGS INDICATE APPLICABLE MATING DIMENSIONS. NON INTERFACE VARIABLES SUCH AS THICKNESS, CORRAL DIMENSIONS, AND MATERIALS MAY VARY DEPENDING ON PRODUCT CONFIGURATION.

| | | | | | | |
|---|-------------|---|------------------|---------------|--------------|------------|
| MATERIAL SEE NOTES | TREATMENT - | DRAWN M.R. | DATE 6/15/10 | | | |
| FINISH - | MOD NO. - | CHECKED | DATE | | | |
| WR75 FLANGE, STANDARD CPR75G | | APPROVED | DATE | | | |
| | | CAGE CODE: OR8N4 | DO NOT SCALE DWG | | | |
| ADVANCED TECHNICAL MATERIALS, INC. 49 RIDER AVE., PATCHOGUE N.Y. 11772 TEL: (631) 289-0363 FAX: (631) 289-0358 http://www.atmmicrowave.com | | UNLESS OTHERWISE NOTED DIMENSIONS ARE IN INCHES | FRACTIONS ±1/64 | DECIMALS ±.03 | ANGLES ±1/2° | SHEET. 1/1 |
|  PROPRIETARY NOTICE: THE INFORMATION IN THIS DRAWING IS PROPRIETARY AND SHALL NOT BE USED OR DISCLOSED WITHOUT THE PRIOR WRITTEN CONSENT OF ATM, INC. | | SCALE N.T.S. | DWG. NO. 11875 | REV. A | | |