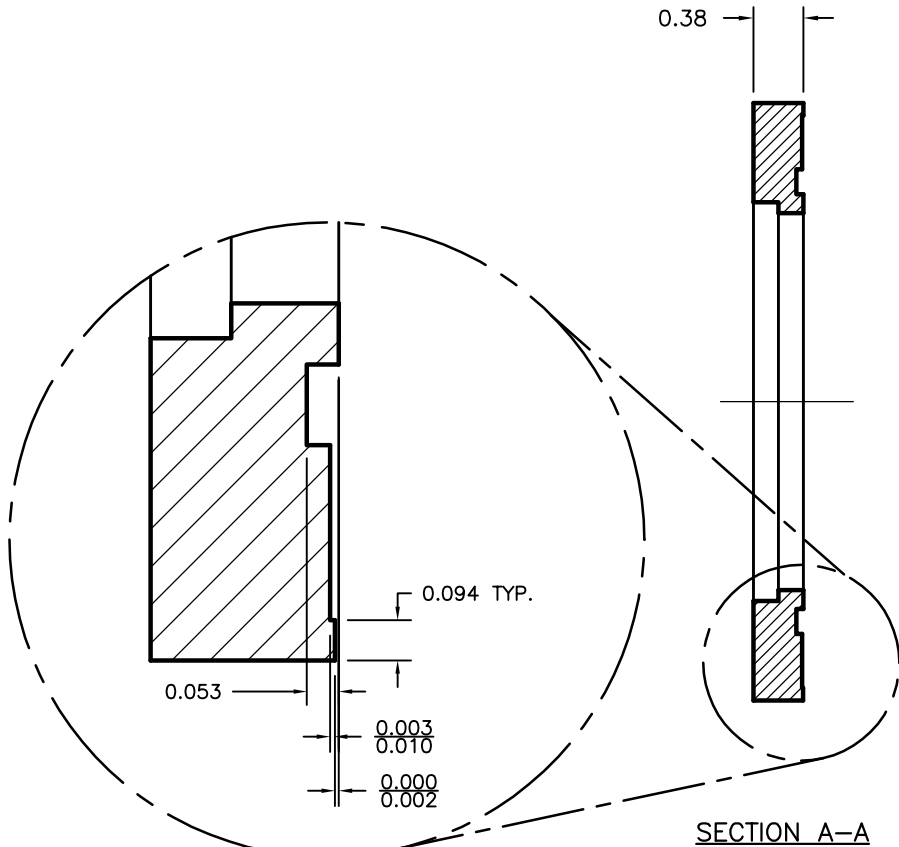
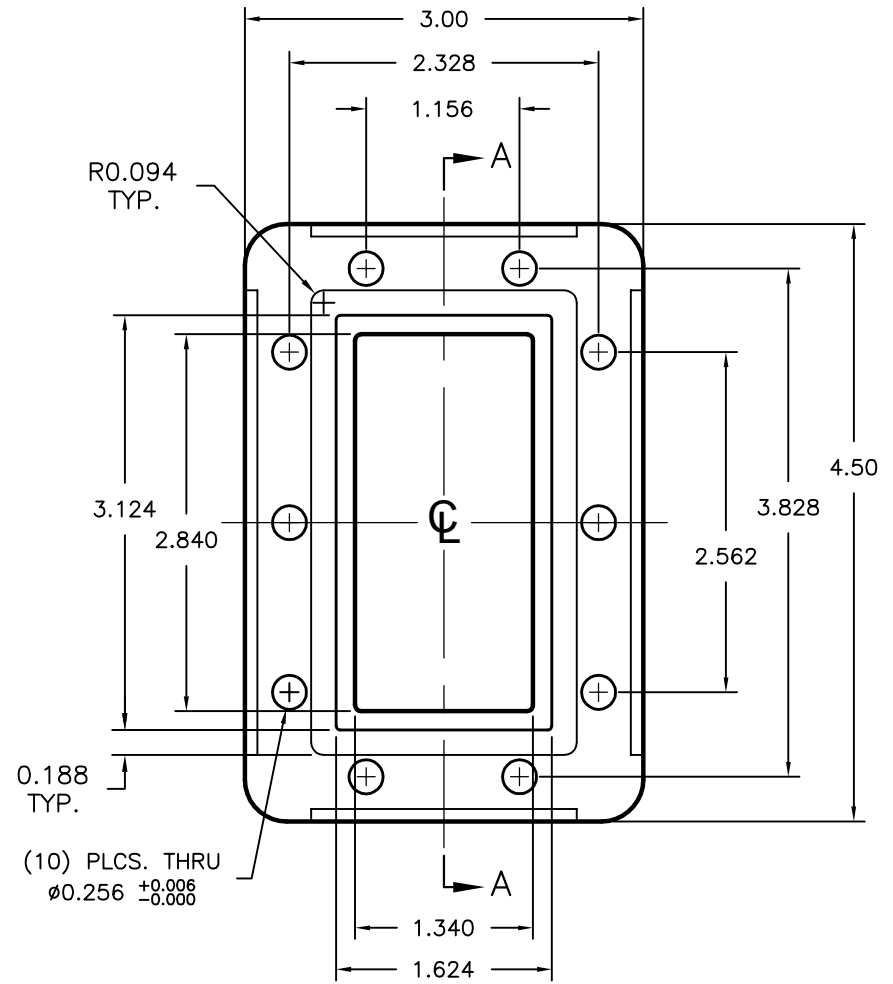


|      |          |              |                 |   |          |
|------|----------|--------------|-----------------|---|----------|
| REV. | AUTH. RL | DATE 1/21/05 | INITIAL RELEASE | APPROVED  |          |
| REV. | A        | AUTH. RL     | DATE 02/07/06   | DIMENSIONAL ERROR CORRECTED   | APPROVED |
| REV. | B        | AUTH. LM     | DATE 06/04/14   | DIMENSIONAL ERROR CORRECTED: 2.328 WAS 2.326<br>PER ECN 06-04-14-01 | APPROVED |

| EQUIVALENT TO; |          |
|----------------|----------|
| TYPE           | MATERIAL |
| UG 1349/U      | ALUMINUM |
| UG 1348/U      | BRASS    |



**DETAIL B**  
NOTE: NOT TO SCALE



**NOTES:**

- ALL DRAWINGS INDICATE APPLICABLE MATING DIMENSIONS. NON INTERFACE VARIABLES SUCH AS THICKNESS, CORRAL DIMENSIONS, AND MATERIALS MAY VARY DEPENDING ON PRODUCT CONFIGURATION.

|   |             |  |  |                      |
|---|-------------|--|--|----------------------|
| MATERIAL SEE NOTES  | TREATMENT _ | DRAWN RL   | DATE 1/21/05                                     |                      |
| FINISH _  | MOD NO. _   | CHECKED  | DATE   |                      |
| <b>WR284 FLANGE,<br/>STANDARD CPR284G</b>   |             | APPROVED   | DATE   |                      |
|   |             | CAGE CODE: OR8N4   | DO NOT SCALE DWG                                 |                      |
| ADVANCED TECHNICAL MATERIALS, INC.<br>49 RIDER AVE., PATCHOGUE N.Y. 11772<br>TEL: (631) 289-0363 FAX: (631) 289-0358<br><a href="http://www.atmmicrowave.com">http://www.atmmicrowave.com</a> |             | UNLESS OTHERWISE NOTED DIMENSIONS ARE IN INCHES<br>TOLERANCES ARE: | FRACTIONS ±1/64<br>DECIMALS ±.03<br>ANGLES ±1/2° | SHEET.<br><b>1/1</b> |
| PROPRIETARY NOTICE:<br>THE INFORMATION IN THIS DRAWING IS PROPRIETARY AND SHALL NOT BE USED OR DISCLOSED WITHOUT THE PRIOR WRITTEN CONSENT OF ATM, INC.                                       |             | SCALE<br>N.T.S.  | DWG. NO.<br><b>7104W</b>                         | REV.<br><b>B</b>     |