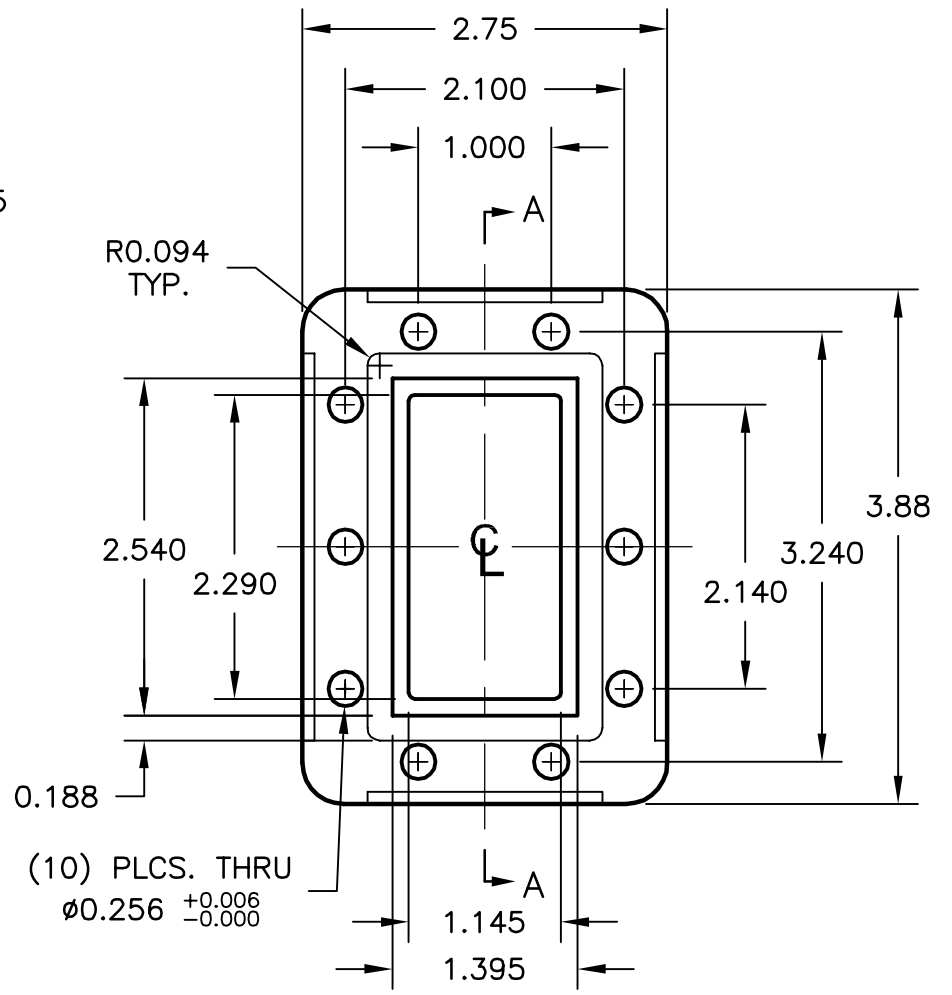
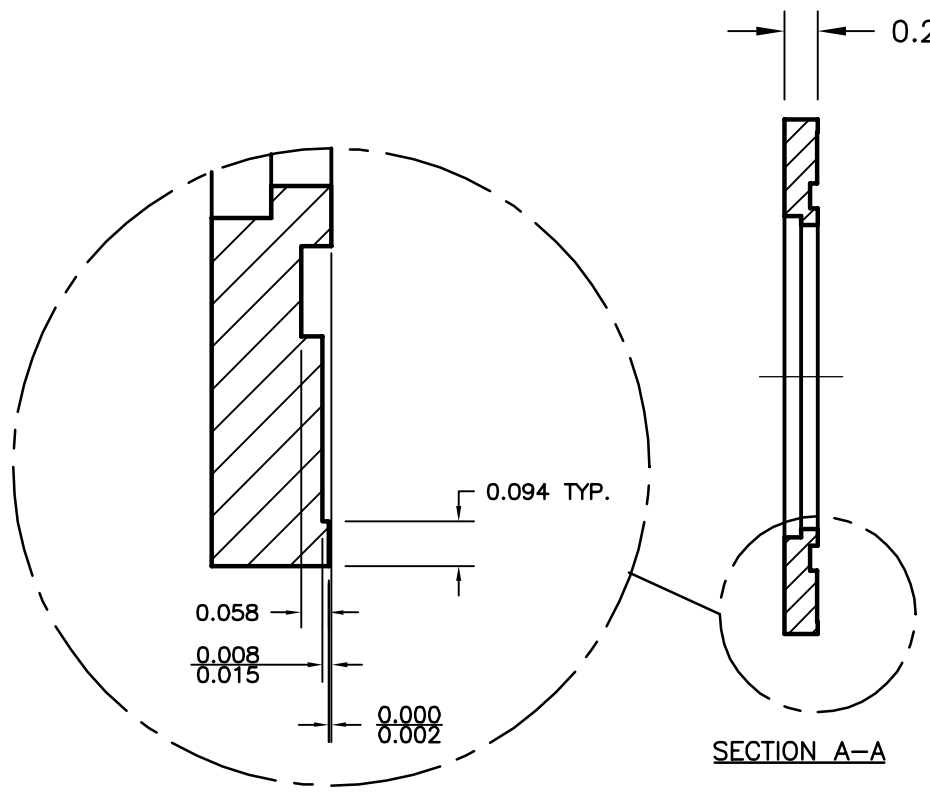


EQUIVALENT TO	
TYPE	MATERIAL
UG 1351/U	ALUMINUM
UG 1350/U	BRASS



NOTES:

1. ALL DRAWINGS INDICATE APPLICABLE MATING DIMENSIONS. NON INTERFACE VARIABLES SUCH AS THICKNESS, CORRAL DIMENSIONS, AND MATERIALS MAY VARY DEPENDING ON PRODUCT CONFIGURATION.

MATERIAL SEE NOTES	TREATMENT -	DRAWN R. LYNCH	DATE 02/03/05	
FINISH -	MOD NO. -	CHECKED	DATE	
WR229 FLANGE, CPR229G		APPROVED	DATE	
		CAGE CODE: ORBN4	DO NOT SCALE DWG	
ADVANCED TECHNICAL MATERIALS, INC. 49 RIDER AVE., PATCHOGUE N.Y. 11772 TEL: (631) 289-0363 FAX: (631) 289-0358 http://www.atmmicrowave.com		UNLESS OTHERWISE NOTED DIMENSIONS ARE IN INCHES TOLERANCES ARE:	FRACTIONS $\pm 1/64$ DECIMALS $\pm .03$ ANGLES $\pm 1/2^\circ$	SHEET. 1/1
PROPRIETARY NOTICE: THE INFORMATION IN THIS DRAWING IS PROPRIETARY AND SHALL NOT BE USED OR DISCLOSED WITHOUT THE PRIOR WRITTEN CONSENT OF ATM, INC.		SCALE N.T.S.	DWG. NO. 7113W	REV. -