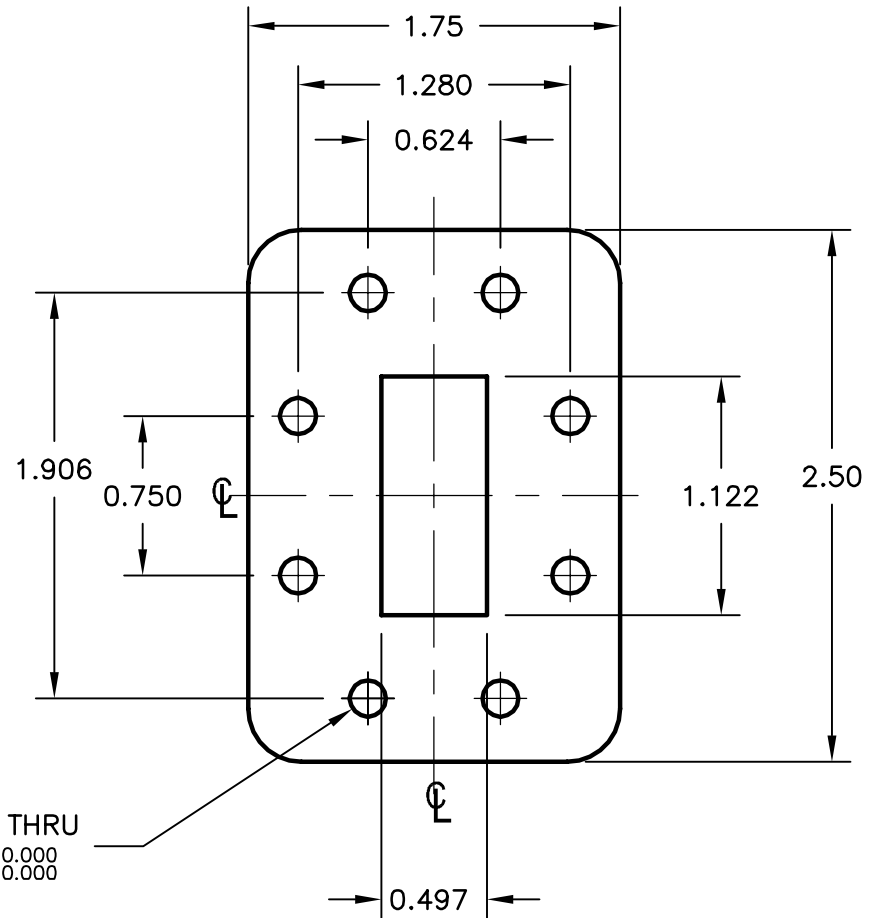
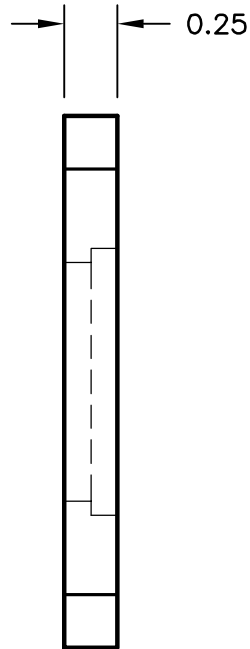


REV.	—	AUTH. DRH	DATE 12/15/04	INITIAL RELEASE	APPROVED
REV.	A	AUTH. RL	DATE 07/09/07	"EQUIVELANT TO:" UPDATED: MIL-F NOTES ADDED.	APPROVED

EQUIVALENT TO:

CPR112F	MATERIAL	MIL F-3922-	U/G TYPE
	ALUMINUM	52-042	UG 1735/U
	BRASS	52-020	UG 1734/U



(8) PLCS. THRU
 $\varnothing 0.169 \begin{matrix} +0.000 \\ -0.000 \end{matrix}$

NOTES:

1. ALL DRAWINGS INDICATE APPLICABLE MATING DIMENSIONS. NON INTERFACE VARIABLES SUCH AS THICKNESS, CORRAL DIMENSIONS, AND MATERIALS MAY VARY DEPENDING ON PRODUCT CONFIGURATION.

MATERIAL	SEE NOTES	TREATMENT	—	DRAWN	DRH	DATE	12/15/04
FINISH	—	MOD NO.	—	CHECKED		DATE	
WR112 FLANGE, CPR112F						APPROVED	DATE
						CAGE CODE: ORBN4	DO NOT SCALE DWG
ADVANCED TECHNICAL MATERIALS, INC. 49 RIDER AVE., PATCHOGUE N.Y. 11772 TEL: (631) 289-0363 FAX: (631) 289-0358 http://www.atmmicrowave.com				UNLESS OTHERWISE NOTED DIMENSIONS ARE IN INCHES TOLERANCES ARE:		FRACTIONS ±1/64 DECIMALS ±.01 ANGLES ±1/2°	SHEET. 1/1
PROPRIETARY NOTICE: THE INFORMATION IN THIS DRAWING IS PROPRIETARY AND SHALL NOT BE USED OR DISCLOSED WITHOUT THE PRIOR WRITTEN CONSENT OF ATM, INC.				SCALE N.T.S.		DWG. NO. 7101W	REV. A