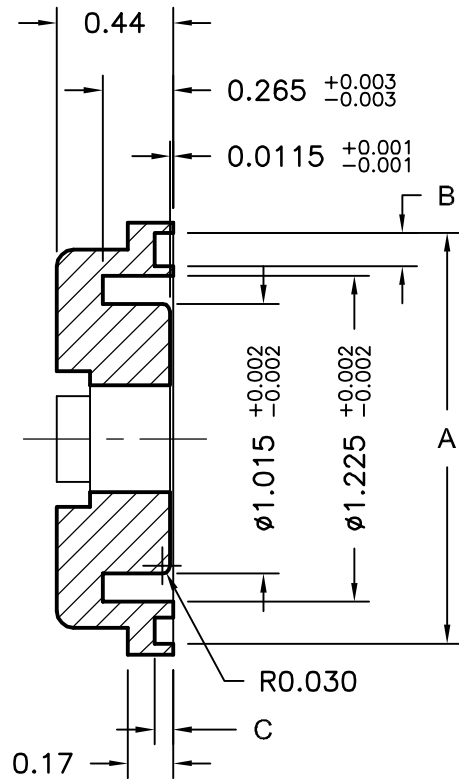


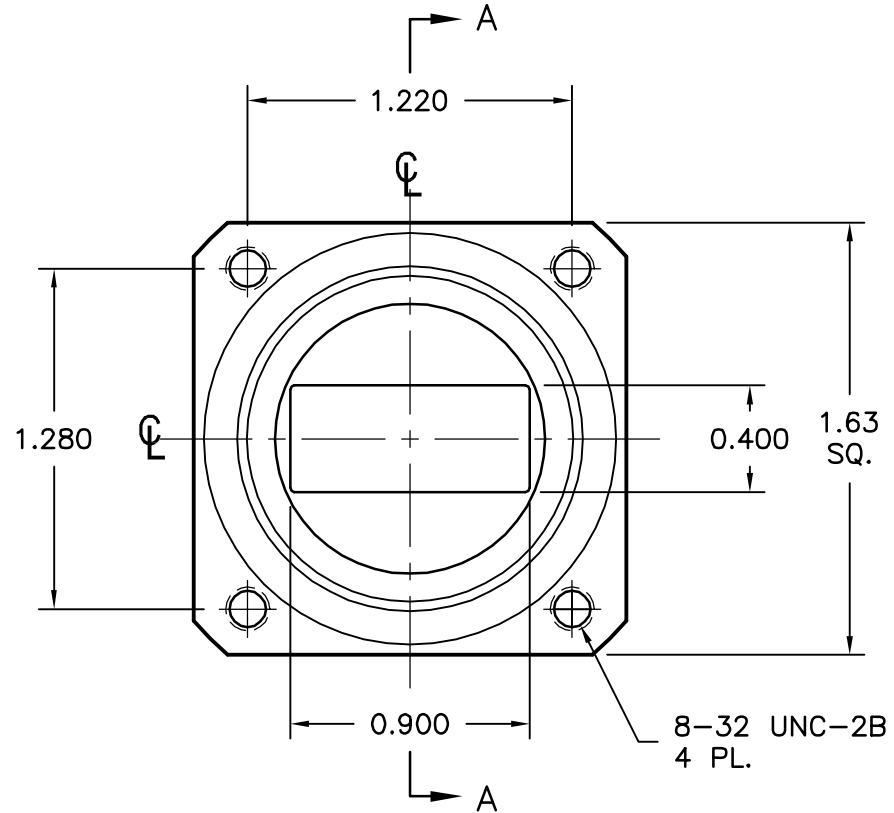
| | | | | |
|------|-------|----------|--------------------------------------|----------|
| REV. | AUTH. | DATE | INITIAL RELEASE | APPROVED |
| - | R.L. | 04/21/05 | | |
| REV. | AUTH. | DATE | DIMENSIONAL CHANGE: 1.554 WAS: 1.544 | APPROVED |
| A | R.L. | 09/28/05 | | |

EQUIVALENT TO:

| MATERIAL | UG-TYPE | MIL F-3922 | 'A' | 'B' | 'C' |
|----------|------------|------------|-------|------|------|
| ALUMINUM | UG-136 B/U | 59-008 | 1.548 | .125 | .064 |
| BRASS | UG-40 B/U | 59-006 | 1.554 | .131 | .070 |



SECTION A-A



NOTES:

- ALL DRAWINGS INDICATE APPLICABLE MATING DIMENSIONS. NON INTERFACE VARIABLES SUCH AS THICKNESS, CORRAL DIMENSIONS, AND MATERIALS MAY VARY DEPENDING ON PRODUCT CONFIGURATION.

| | | | | | | | |
|---|-----------|-----------|---|--|------------------------|---------------------------|------------------|
| MATERIAL | SEE NOTES | TREATMENT | - | DRAWN | RL | DATE | 04/21/05 |
| FINISH | - | MOD NO. | - | CHECKED | | DATE | |
| WR90 FLANGE, CHOKE | | | | | | APPROVED | DATE |
| | | | | | | CAGE CODE: ORBN4 | DO NOT SCALE DWG |
| ADVANCED TECHNICAL MATERIALS, INC. 49 RIDER AVE., PATCHOGUE N.Y. 11772 TEL: (631) 289-0363 FAX: (631) 289-0358 http://www.atmmicrowave.com | | | | UNLESS OTHERWISE NOTED DIMENSIONS ARE IN INCHES TOLERANCES ARE: | | | SHEET. |
| PROPRIETARY NOTICE: THE INFORMATION IN THIS DRAWING IS PROPRIETARY AND SHALL NOT BE USED OR DISCLOSED WITHOUT THE PRIOR WRITTEN CONSENT OF ATM, INC. | | | | FRACTIONS $\pm 1/64$ | DECIMALS ± 0.03 | ANGLES $\pm 1/2^\circ$ | 1/1 |
| | | | | SCALE N.T.S. | DWG. NO. 7251W | REV. A | |