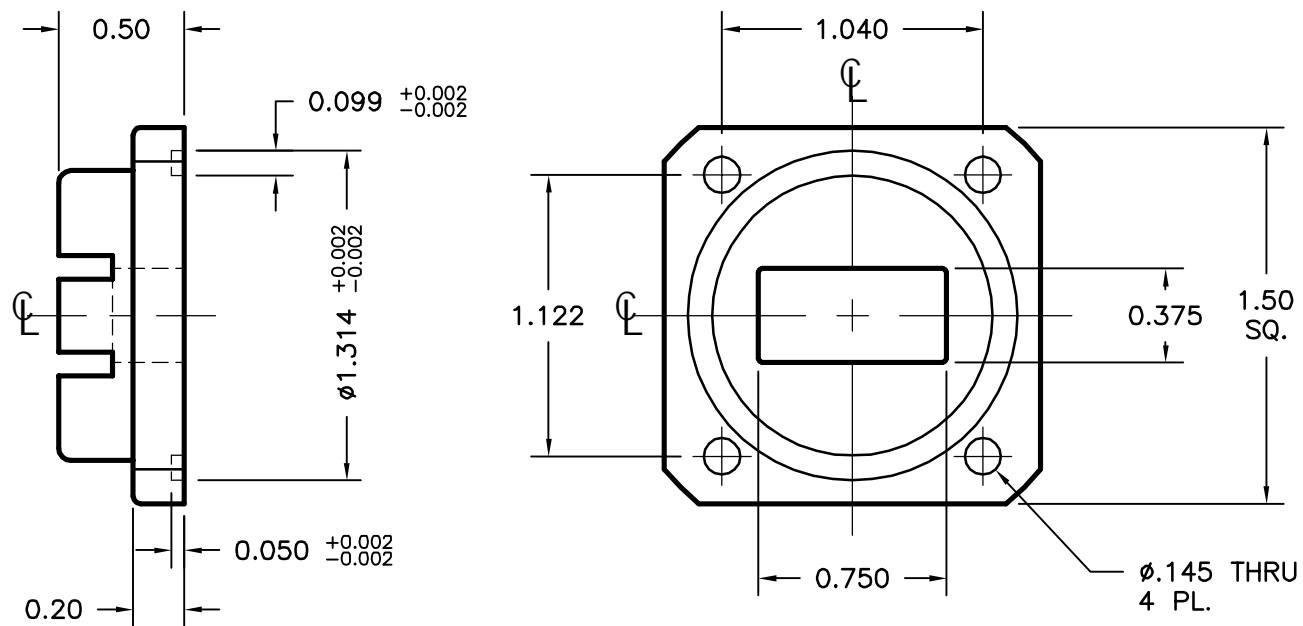


REV -	AUTH RL	DATE 07/21/05	INITIAL RELEASE
REV A	AUTH RL	DATE 01/05/06	TITLE BLOCK UPDATED



NOTES:

1. ALL DRAWINGS INDICATE APPLICABLE MATING DIMENSIONS. NON INTERFACE VARIABLES SUCH AS THICKNESS, CORRAL DIMENSIONS, AND MATERIALS MAY VARY DEPENDING ON PRODUCT CONFIGURATION.

THIRD ANGLE PROJECTION:		APPROVALS		DATE		ADVANCED TECHNICAL MATERIALS, INC. TEL: (631) 289-0363 FAX: (631) 289-0358 www.atmmicrowave.com		<small>THE INFORMATION IN THIS DRAWING IS PROPRIETARY AND SHALL NOT BE USED OR DISCLOSED WITHOUT THE PRIOR WRITTEN CONSENT OF ATM, INC. DO NOT SCALE DWG.</small>	
UNLESS OTHERWISE NOTED, DIMENSIONS ARE IN INCHES. TOLERANCES ARE: FRACTIONS: ±1/64 ANGLES: ±1/2°		DRAWN RL		01/05/06		WR75 COVER-GROOVE FLANGE		REVISION A	
		CHKD.							
		APPRVD.							
BASIC DIMENSION	DECIMALS 2 PLACE 3 PLACE	MATERIAL PER ORDER		SIZE A	CAGE CODE OR8N4	ATM DWG # 7348W	SHEET 1/1		
UNDER 6"	±.02 ±.005	TREATMENT -		SCALE NONE	MODEL # -				
6" - 12"	±.03 ±.010	FINISH -							
OVER 12"	±.06 ±.015								