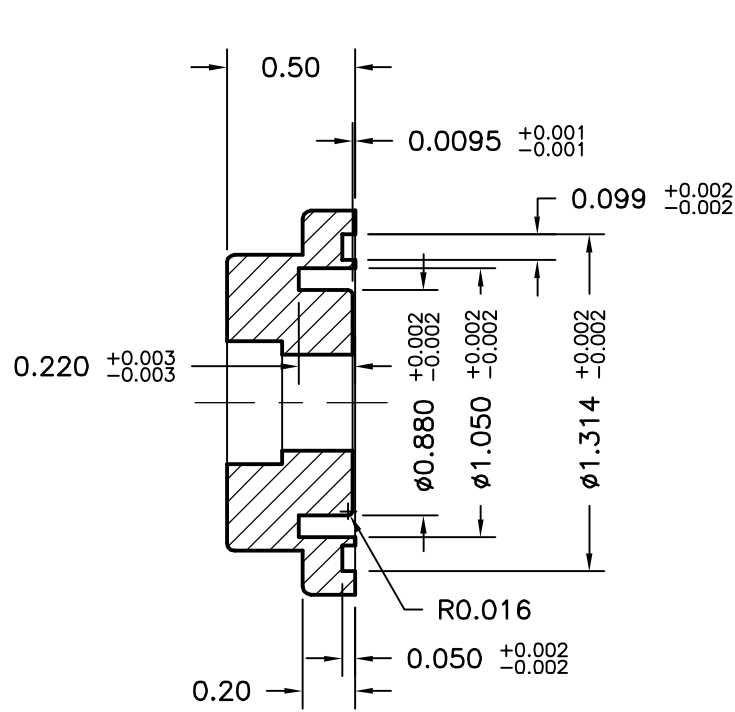
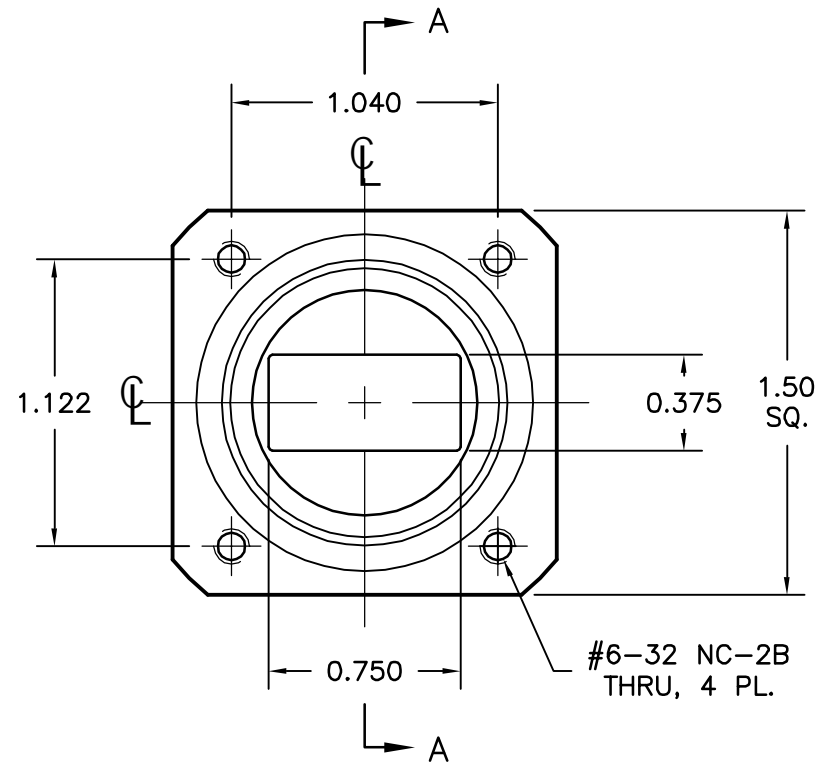


EQUIVALENT TO:

MATERIAL	MIL F-3922
ALUMINUM	59-011
BRASS	59-010



SECTION A-A



NOTES:

1. ALL DRAWINGS INDICATE APPLICABLE MATING DIMENSIONS. NON INTERFACE VARIABLES SUCH AS THICKNESS, CORRAL DIMENSIONS, AND MATERIALS MAY VARY DEPENDING ON PRODUCT CONFIGURATION.

MATERIAL	SEE NOTES	TREATMENT	-	DRAWN	R. LYNCH	DATE	05/21/05		
FINISH	-	MOD NO.	-	CHECKED		DATE			
<p>WR75 FLANGE, CHOKE</p>				APPROVED		DATE			
				CAGE CODE: OR8N4		DO NOT SCALE DWG			
<p>ADVANCED TECHNICAL MATERIALS, INC. 49 RIDER AVE., PATCHOGUE N.Y. 11772 TEL: (631) 289-0363 FAX: (631) 289-0358 http://www.atmmicrowave.com</p>				<p>UNLESS OTHERWISE NOTED DIMENSIONS ARE IN INCHES TOLERANCES ARE:</p>		<p>FRACTIONS ±1/64</p>	<p>DECIMALS ±.03</p>	<p>ANGLES ±1/2°</p>	<p>SHEET. 1/1</p>
<p>PROPRIETARY NOTICE: THE INFORMATION IN THIS DRAWING IS PROPRIETARY AND SHALL NOT BE USED OR DISCLOSED WITHOUT THE PRIOR WRITTEN CONSENT OF ATM, INC.</p>					<p>SCALE N.T.S.</p>	<p>DWG. NO. 7253W</p>	<p>REV. -</p>		