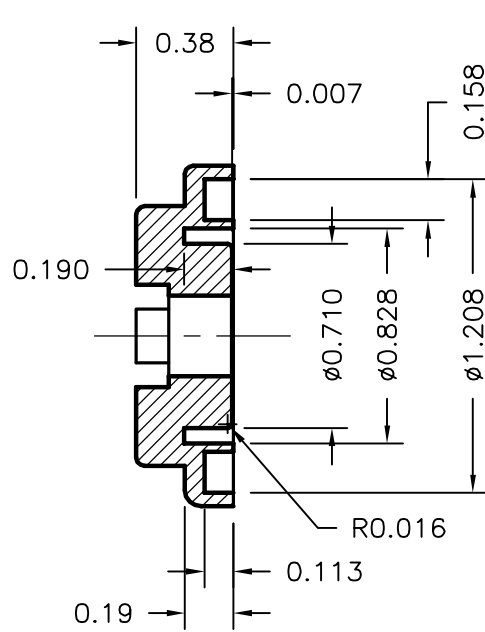


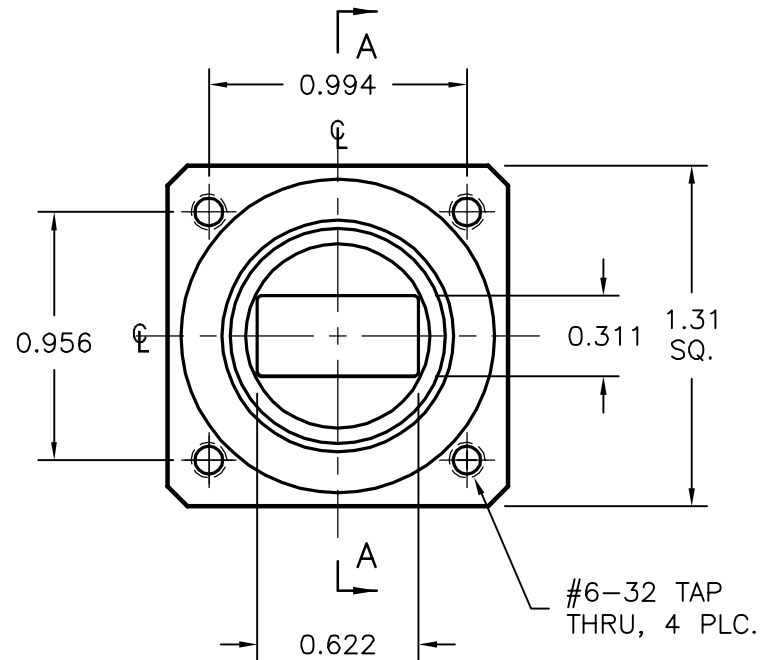
REV A	AUTH RL	DATE 09/07/07	INITIAL RELEASE
----------	------------	------------------	--------------------

EQUIVALENT TO:

WR62 SQ. CHOKE	MATERIAL	MIL F-3922-	U/G TYPE
	ALUMINUM	59-002	UG 1666/U
	BRASS	59-001	UG 541A/U



SECTION A-A



NOTES:

1. ALL DRAWINGS INDICATE APPLICABLE MATING DIMENSIONS. NON INTERFACE VARIABLES SUCH AS THICKNESS, CORRAL DIMENSIONS, AND MATERIALS MAY VARY DEPENDING ON PRODUCT CONFIGURATION.

THIRD ANGLE PROJECTION:		APPROVALS	DATE	ADVANCED TECHNICAL MATERIALS, INC. TEL: (631) 289-0363 FAX: (631) 289-0358 www.atmmicrowave.com		THE INFORMATION IN THIS DRAWING IS PROPRIETARY AND SHALL NOT BE USED OR DISCLOSED WITHOUT THE PRIOR WRITTEN CONSENT OF ATM INC. DO NOT SCALE DWG.			
UNLESS OTHERWISE NOTED, DIMENSIONS ARE IN INCHES. TOLERANCES ARE: FRACTIONS: ±1/64 ANGLES: ±1/2°				DRAWN RL	09/07/07	WR62 FLANGE, CHOKE			
BASIC DIMENSION		DECIMALS 2 PLACE	3 PLACE	CHKD.	APRVD.				
UNDER 6"	±.02	±.005		MATERIAL	SEE NOTES				
6" - 12"	±.03	±.010		TREATMENT	-	SIZE A	CAGE CODE OR8N4	ATM DWG # 7254W	REVISION A
OVER 12"	±.06	±.015		FINISH	-	SCALE NONE	MODEL # -		SHEET 1/1