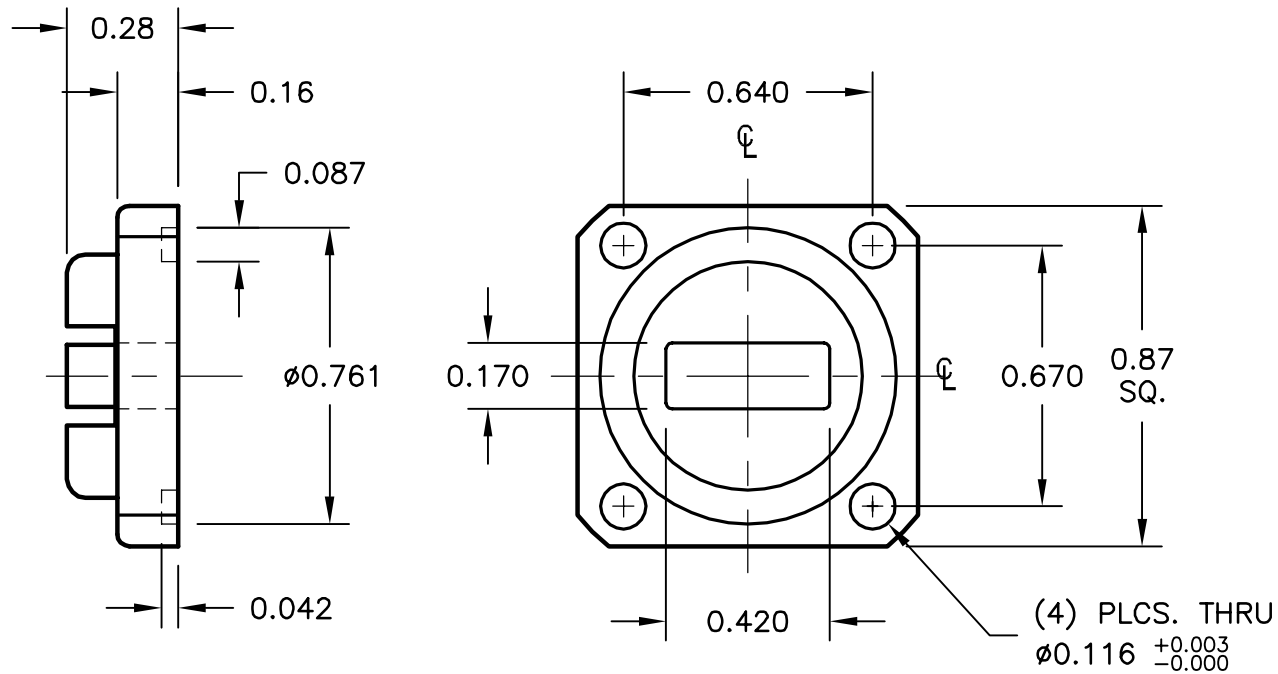


REV	AUTH	DATE	INITIAL RELEASE
-	RL	08/28/06	



**NOTES:**

1. ALL DRAWINGS INDICATE APPLICABLE MATING DIMENSIONS. NON INTERFACE VARIABLES SUCH AS THICKNESS, CORRAL DIMENSIONS, AND MATERIALS MAY VARY DEPENDING ON PRODUCT CONFIGURATION.

THIRD ANGLE PROJECTION:		APPROVALS	DATE		ADVANCED TECHNICAL MATERIALS, INC.		THE INFORMATION IN THIS DRAWING IS PROPRIETARY AND SHALL NOT BE USED OR DISCLOSED WITHOUT THE PRIOR WRITTEN CONSENT OF ATM, INC. DO NOT SCALE DWG.
UNLESS OTHERWISE NOTED, DIMENSIONS ARE IN INCHES. TOLERANCES ARE: FRACTIONS: ±1/64 ANGLES: ±1/2°		DRAWN <b>RL</b>	<b>08/28/06</b>		TEL: (631) 289-0363 FAX: (631) 289-0358	www.atmmicrowave.com	
BASIC DIMENSION		DECIMALS		<b>WR42 COVER-GROOVE FLANGE</b>			
		2 PLACE	3 PLACE				
UNDER 6"	<b>±.02</b>	<b>±.005</b>	APRVD.		MATERIAL <b>PER ORDER</b>		SIZE <b>A</b>
6" - 12"	<b>±.03</b>	<b>±.010</b>	MATERIAL		TREATMENT -	SCALE <b>2 : 1</b>	CAGE CODE <b>0R8N4</b>
OVER 12"	<b>±.06</b>	<b>±.015</b>	FINISH -		ATM DWG # <b>7259W</b>	MODEL # -	REVISION -
							SHEET <b>1/1</b>