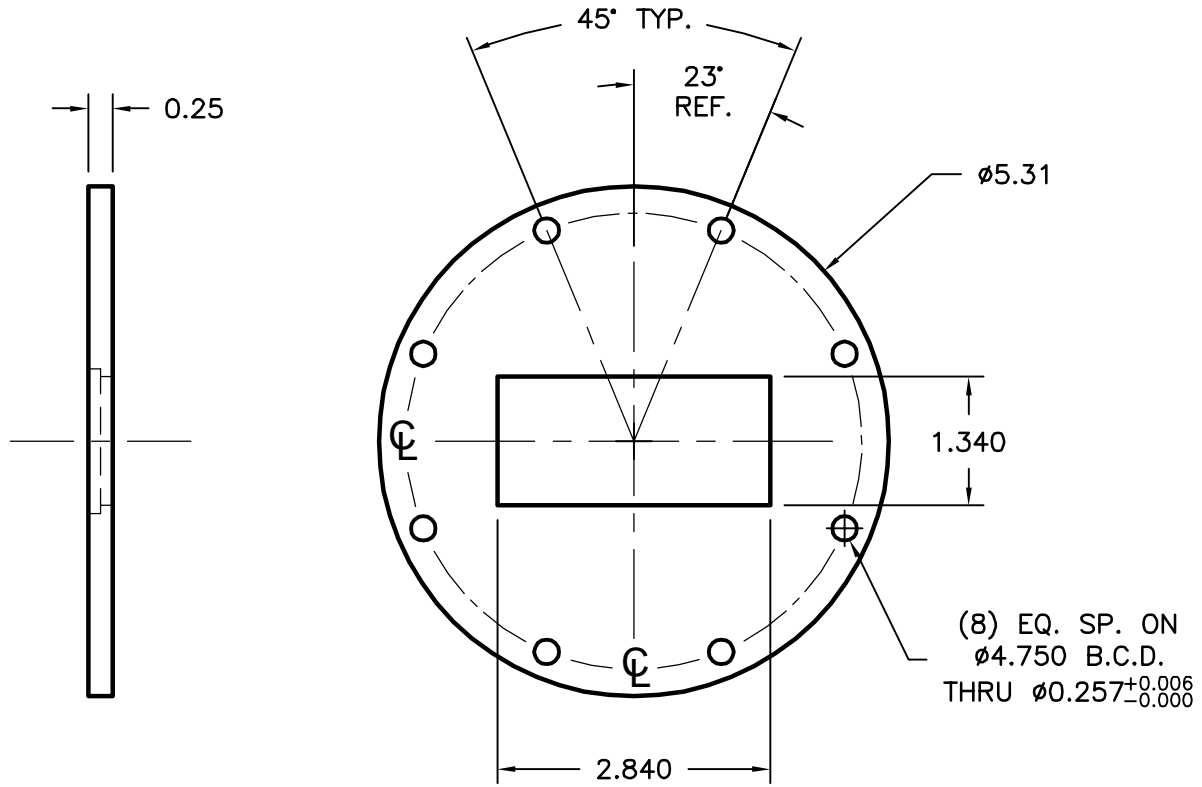


EQUIVALENT TO;

TYPE	MATERIAL
UG 584/U	ALUMINUM
UG 53/U	BRASS



NOTES:

1. FLANGE SHOWN IS ATM STANDARD FLANGE FOR WAVEGUIDE TYPE NOTED. OTHER FLANGE TYPES ARE AVAILABLE UPON REQUEST.
2. ALL DRAWINGS INDICATE APPLICABLE MATING DIMENSIONS. NON INTERFACE VARIABLES SUCH AS THICKNESS, CORRAL DIMENSIONS, AND MATERIALS MAY VARY DEPENDING ON PRODUCT CONFIGURATION.

MATERIAL	SEE NOTES	TREATMENT	-	DRAWN	DRH	DATE	12/10/04
FINISH	-	MOD NO.	-	CHECKED		DATE	
WR284 FLANGE, STANDARD CVR284				APPROVED		DATE	
				CAGE CODE: OR8N4		DO NOT SCALE DWG	
ADVANCED TECHNICAL MATERIALS, INC. 49 RIDER AVE., PATCHOGUE N.Y. 11772 TEL: (631) 289-0363 FAX: (631) 289-0358 http://www.atmmicrowave.com				UNLESS OTHERWISE NOTED DIMENSIONS ARE IN INCHES TOLERANCES ARE:		FRACTIONS ±1/64 DECIMALS ±.03 ANGLES ±1/2°	SHEET. 1/1
						SCALE N.T.S.	DWG. NO. 7063W
						REV. -	