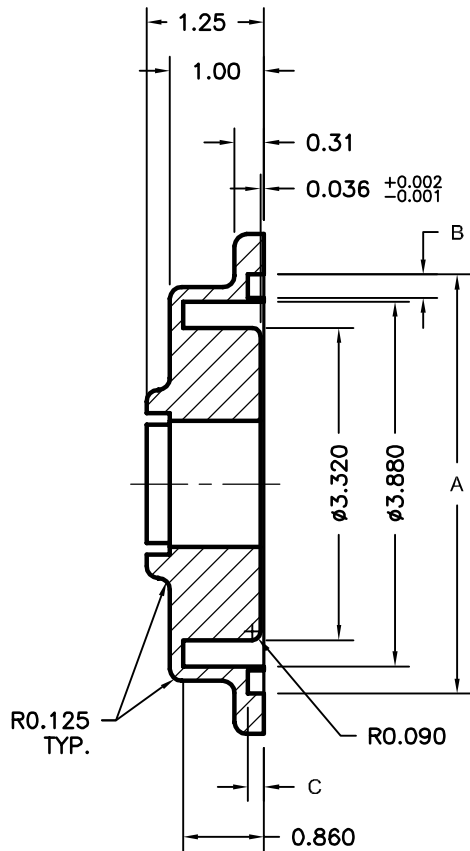


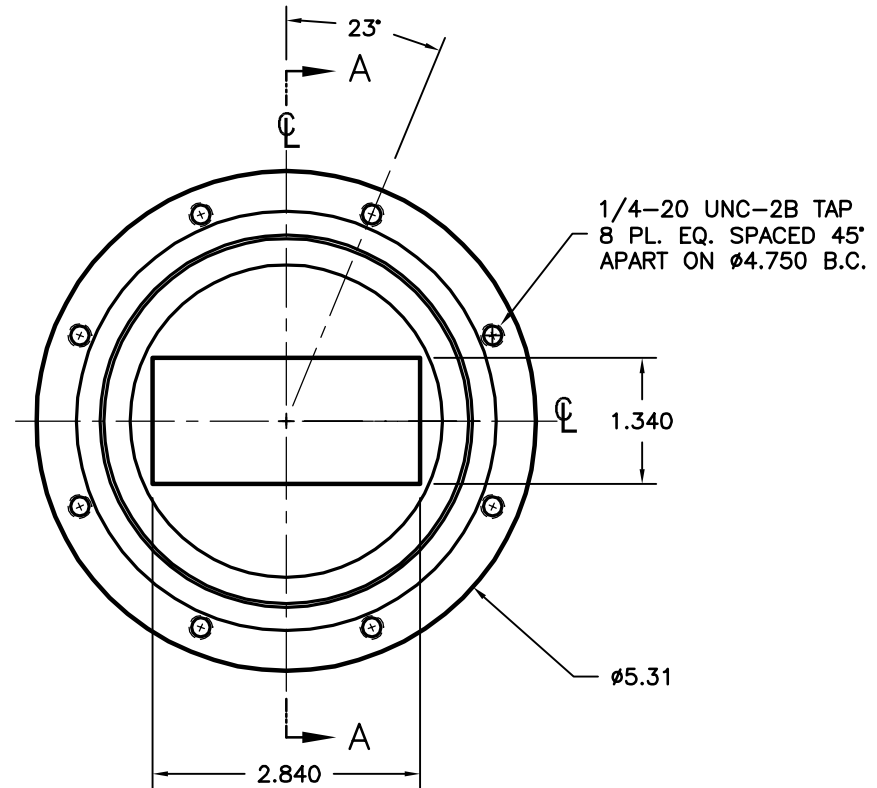
EQUIVALENT TO:

REV	AUTH	DATE	INITIAL RELEASE
-	RL	02/06/06	
REV	AUTH	DATE	DIM A: 4.458 WAS: 1.458
A	RL	09/06/06	

MATERIAL	UG-TYPE	MIL F-3922	'A'	'B'	'C'
ALUMINUM	UG-585 A/U	61-001	4.548	0.246	0.170
BRASS	UG-54 B/U	61-002		0.254	



SECTION A-A



NOTES:

- ALL DRAWINGS INDICATE APPLICABLE MATING DIMENSIONS. NON INTERFACE VARIABLES SUCH AS THICKNESS, CORRAL DIMENSIONS, AND MATERIALS MAY VARY DEPENDING ON PRODUCT CONFIGURATION.

THIRD ANGLE PROJECTION:		APPROVALS	DATE	ADVANCED TECHNICAL MATERIALS, INC. TEL: (631) 289-0363 FAX: (631) 289-0358 www.atmmicrowave.com		<small>THE INFORMATION IN THIS DRAWING IS PROPRIETARY AND SHALL NOT BE USED OR DISCLOSED WITHOUT THE PRIOR WRITTEN CONSENT OF ATM, INC. DO NOT SCALE DWG.</small>			
UNLESS OTHERWISE NOTED, DIMENSIONS ARE IN INCHES, TOLERANCES ARE: FRACTIONS: ±1/64 ANGLES: ±1/2°		DRAWN RL	02/06/06	WR284 CHOKE FLANGE		SIZE A	CAGE CODE OR8N4	ATM DWG # 7228W	REVISION A
BASIC DIMENSION		CHKD.	APPRVD.			MATERIAL PER ORDER	SCALE 1 : 2	MODEL # -	SHEET 1/1
UNDER 6"	±.02	±.005	TREATMENT -			FINISH -			
6" - 12"	±.03	±.010							
OVER 12"	±.06	±.015							