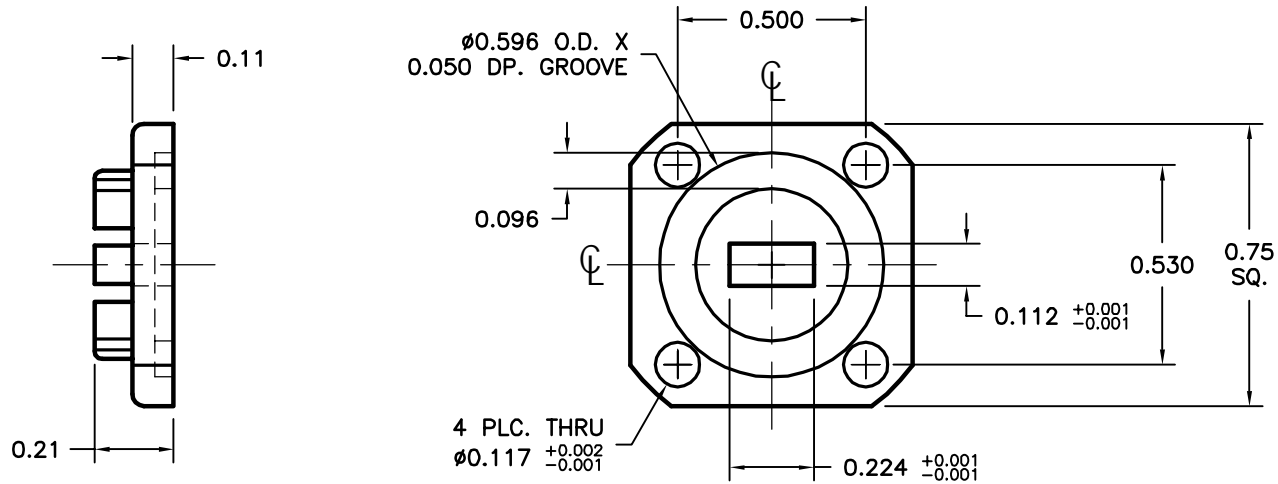


REV	AUTH	DATE	INITIAL RELEASE
-	RL	02/08/06	



NOTES:

1. ALL DRAWINGS INDICATE APPLICABLE MATING DIMENSIONS. NON INTERFACE VARIABLES SUCH AS THICKNESS, CORRAL DIMENSIONS, AND MATERIALS MAY VARY DEPENDING ON PRODUCT CONFIGURATION.

THIRD ANGLE PROJECTION:		APPROVALS	DATE		ADVANCED TECHNICAL MATERIALS, INC. TEL: (631) 289-0363 FAX: (631) 289-0358 www.atmmicrowave.com		THE INFORMATION IN THIS DRAWING IS PROPRIETARY AND SHALL NOT BE USED OR DISCLOSED WITHOUT THE PRIOR WRITTEN CONSENT OF ATM, INC. DO NOT SCALE DWG.	
UNLESS OTHERWISE NOTED, DIMENSIONS ARE IN INCHES. TOLERANCES ARE: FRACTIONS: ±1/64 ANGLES: ±1/2°		DRAWN RL	02/08/06		WR22 FLANGE, SQUARE COVER-GROOVE		REVISION -	
BASIC DIMENSION		CHKD.	APRVD.	SIZE A				
UNDER 6"	DECIMALS 2 PLACE 3 PLACE ±.02 ±.005	MATERIAL	SEE NOTES	SCALE	2 : 1	MODEL #	-	
6" - 12"	±.03 ±.010	TREATMENT	-					
OVER 12"	±.06 ±.015	FINISH	-					