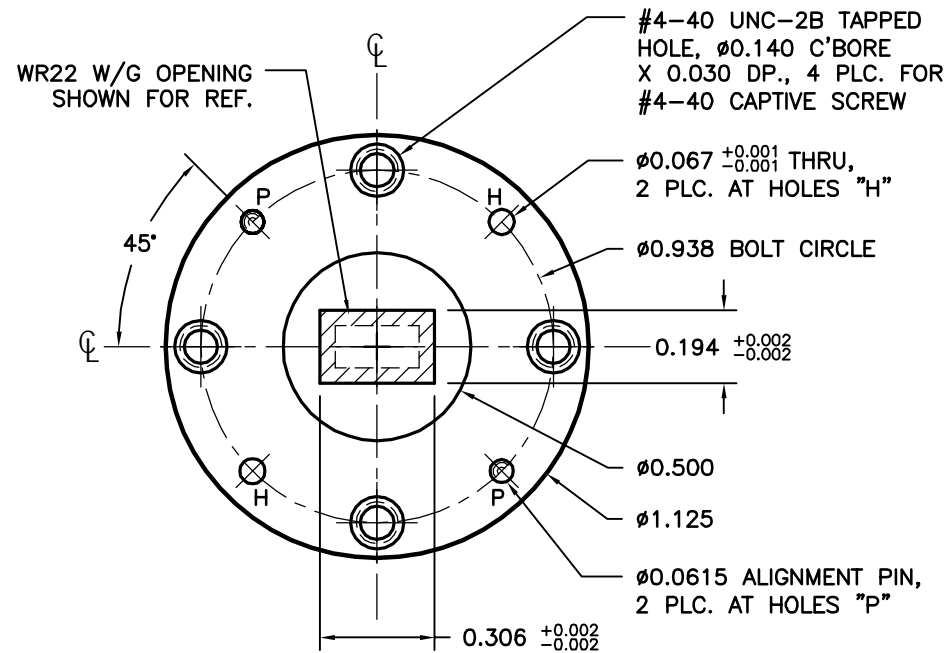
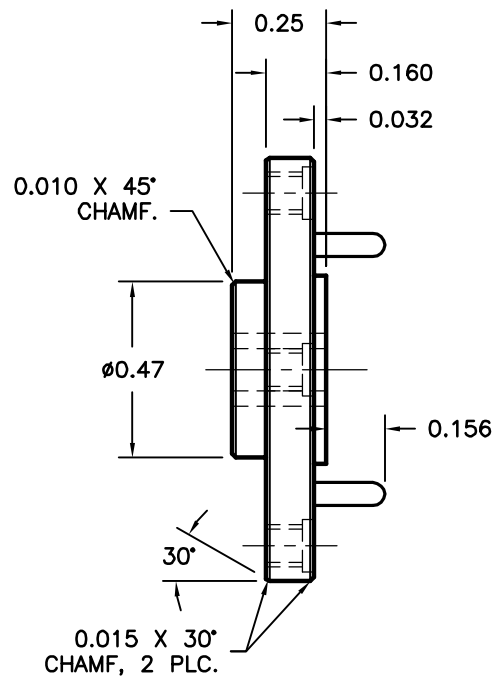


REV	AUTH	DATE	INITIAL RELEASE
-	RL	02/08/06	


EQUIVALENT TO:

TYPE	MIL-F-3922/67C-
UG-383/U	006



**NOTES:**

1. ALL DRAWINGS INDICATE APPLICABLE MATING DIMENSIONS. NON INTERFACE VARIABLES SUCH AS THICKNESS, CORRAL DIMENSIONS, AND MATERIALS MAY VARY DEPENDING ON PRODUCT CONFIGURATION.

THIRD ANGLE PROJECTION:		APPROVALS		DATE		 <b>ADVANCED TECHNICAL MATERIALS, INC.</b> TEL: (631) 289-0363 FAX: (631) 289-0358 www.atmmicrowave.com		<small>THE INFORMATION IN THIS DRAWING IS PROPRIETARY AND SHALL NOT BE USED OR DISCLOSED WITHOUT THE PRIOR WRITTEN CONSENT OF ATM, INC. DO NOT SCALE DWG.</small>		
UNLESS OTHERWISE NOTED, DIMENSIONS ARE IN INCHES. TOLERANCES ARE: FRACTIONS: ±1/64 ANGLES: ±1/2°		DRAWN <b>RL</b>		<b>02/08/06</b>		<b>WR22 FLANGE, ROUND COVER, SLEEVE</b>		REVISION -		
BASIC DIMENSION		CHKD.		APRVD.				SIZE <b>A</b>	CAGE CODE OR8N4	ATM DWG # <b>6627W</b>
DECIMALS 2 PLACE 3 PLACE		MATERIAL <b>SEE NOTES</b>		TREATMENT -				SCALE <b>2 : 1</b>	MODEL # -	SHEET <b>1/1</b>
UNDER 6"	±.02	±.005	FINISH -							
6" - 12"	±.03	±.010								
OVER 12"	±.06	±.015								