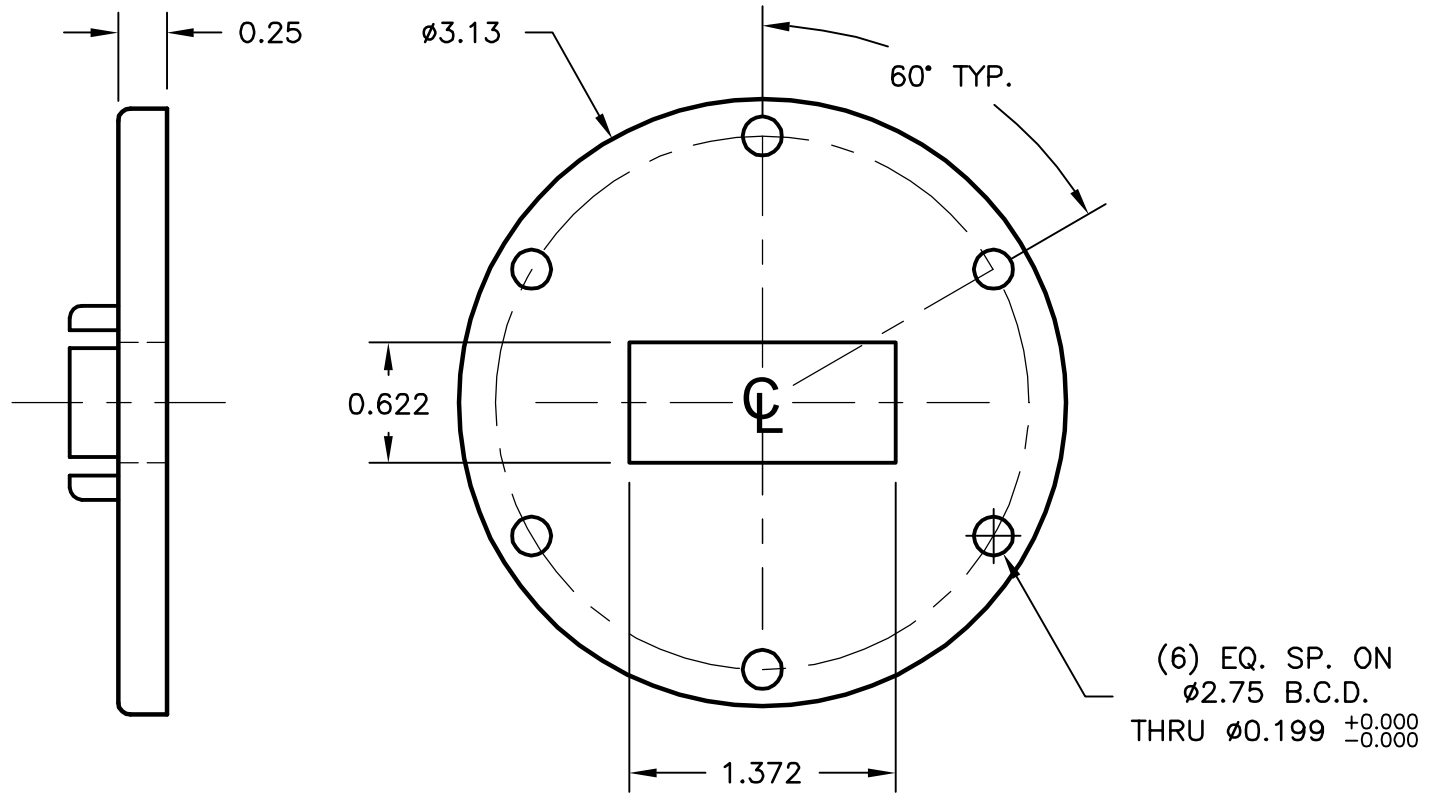


EQUIVALENT TO;

TYPE	MATERIAL
UG 441/U	ALUMINUM
UG 344/U	BRASS



NOTES:

- ALL DRAWINGS INDICATE APPLICABLE MATING DIMENSIONS. NON INTERFACE VARIABLES SUCH AS THICKNESS, CORRAL DIMENSIONS, AND MATERIALS MAY VARY DEPENDING ON PRODUCT CONFIGURATION.

MATERIAL	SEE NOTES	TREATMENT	-	DRAWN	DRH	DATE	12/15/04
FINISH	-	MOD NO.	-	CHECKED		DATE	
WR137 COVER FLANGE						APPROVED	DATE
						CAGE CODE: OR8N4	DO NOT SCALE DWG
ADVANCED TECHNICAL MATERIALS, INC. 49 RIDER AVE., PATCHOGUE N.Y. 11772 TEL: (631) 289-0363 FAX: (631) 289-0358 http://www.atmmicrowave.com				UNLESS OTHERWISE NOTED DIMENSIONS ARE IN INCHES TOLERANCES ARE:		FRACTIONS ±1/64 DECIMALS ±.03 ANGLES ±1/2°	SHEET. 1/1
PROPRIETARY NOTICE: THE INFORMATION IN THIS DRAWING IS PROPRIETARY AND SHALL NOT BE USED OR DISCLOSED WITHOUT THE PRIOR WRITTEN CONSENT OF ATM, INC.				SCALE N.T.S.	DWG. NO. 7102W	REV. -	