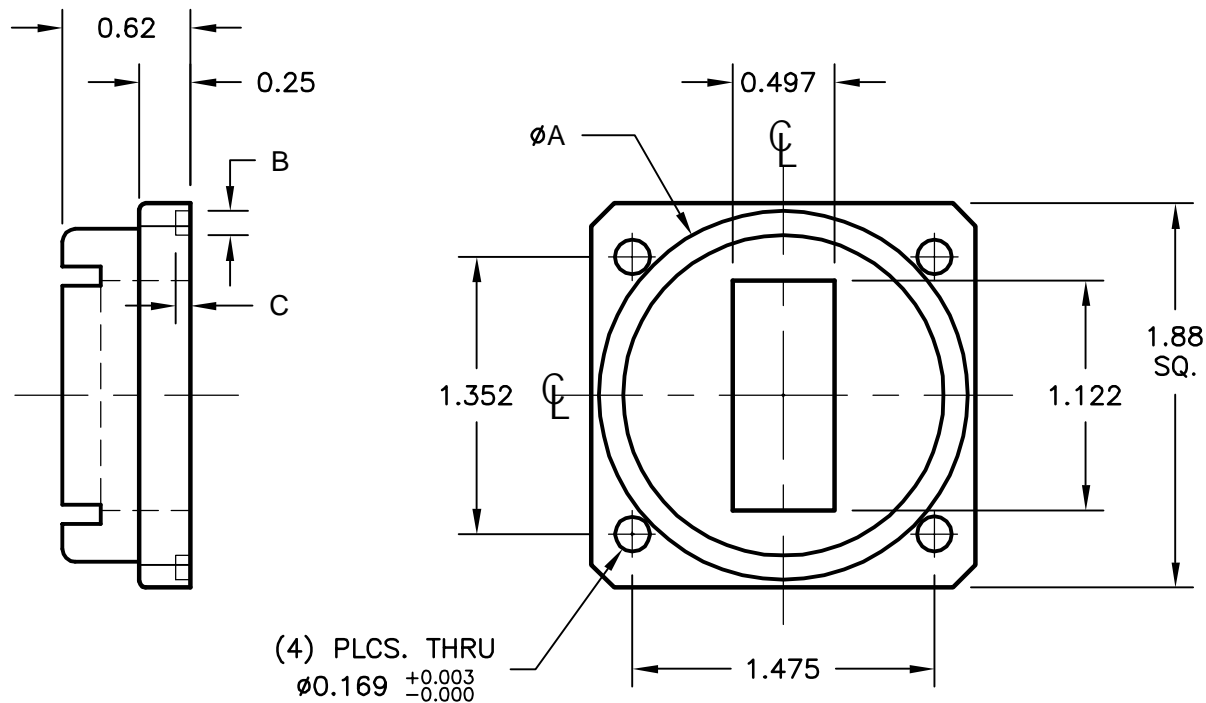


MATERIAL	'A'	'B'	'C'
ALUMINUM	1.798	.116	.069
BRASS	1.802	.120	.073



(4) PLCS. THRU
 $\varnothing 0.169 \begin{matrix} +0.003 \\ -0.000 \end{matrix}$

NOTES:

- ALL DRAWINGS INDICATE APPLICABLE MATING DIMENSIONS. NON INTERFACE VARIABLES SUCH AS THICKNESS, CORRAL DIMENSIONS, AND MATERIALS MAY VARY DEPENDING ON PRODUCT CONFIGURATION.

MATERIAL	SEE NOTES	TREATMENT	-	DRAWN	RL	DATE	10/03/05
FINISH	-	MOD NO.	-	CHECKED		DATE	
WR112 FLANGE COVER - GROOVE						APPROVED	DATE
						CAGE CODE: ORB4	DO NOT SCALE DWG
ADVANCED TECHNICAL MATERIALS, INC. 49 RIDER AVE., PATCHOGUE N.Y. 11772 TEL: (631) 289-0363 FAX: (631) 289-0358 http://www.atmmicrowave.com				UNLESS OTHERWISE NOTED DIMENSIONS ARE IN INCHES TOLERANCES ARE:		FRACTIONS ±1/64 DECIMALS ±.03 ANGLES ±1/2°	SHEET. 1/1
PROPRIETARY NOTICE: THE INFORMATION IN THIS DRAWING IS PROPRIETARY AND SHALL NOT BE USED OR DISCLOSED WITHOUT THE PRIOR WRITTEN CONSENT OF ATM, INC.				SCALE N.T.S.	DWG. NO. 7247W	REV. -	