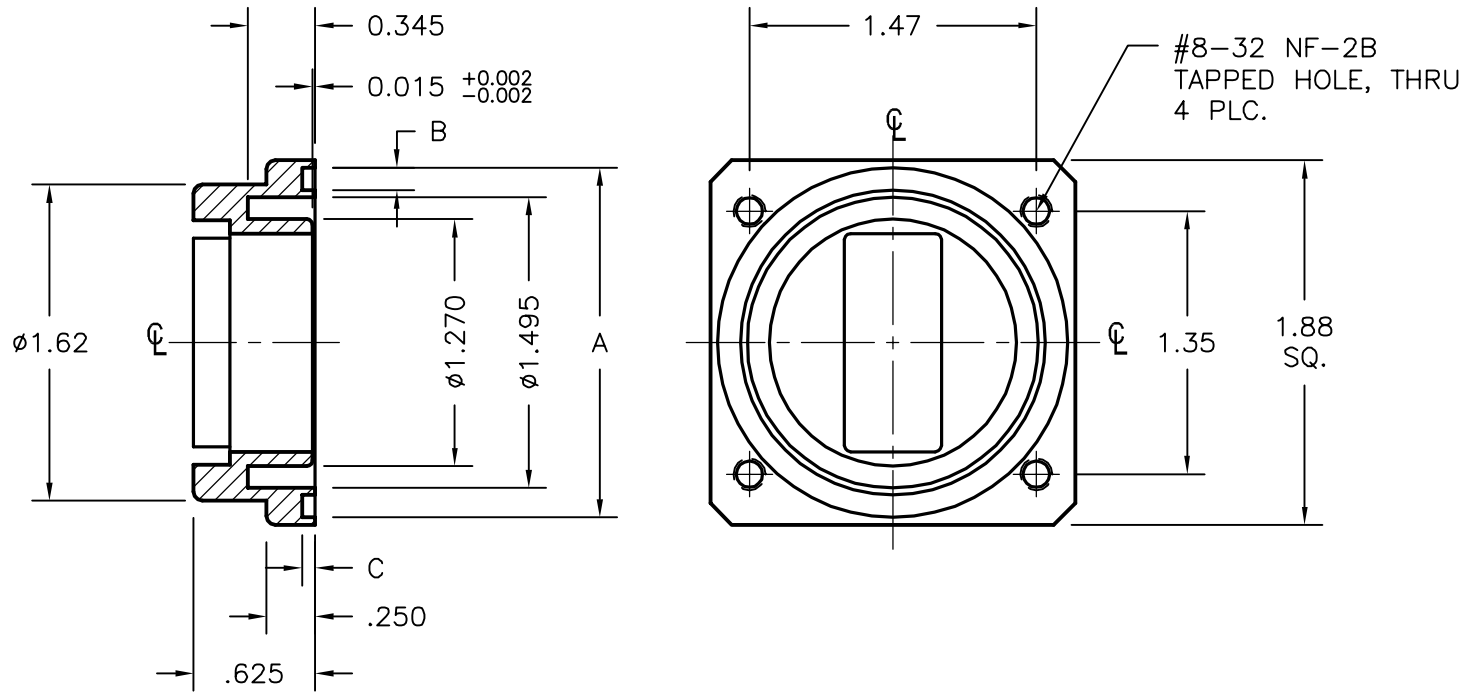


EQUIVALANT TO:

TYPE	MATERIAL	"A"	"B"	"C"
UG-137 B/U	ALUM.	∅1.798	.116	.069
UG-52 B/U	BRASS	∅1.802	.120	.073



NOTES:

- ALL DRAWINGS INDICATE APPLICABLE MATING DIMENSIONS. NON INTERFACE VARIABLES SUCH AS THICKNESS, CORRAL DIMENSIONS, AND MATERIALS MAY VARY DEPENDING ON PRODUCT CONFIGURATION.

THIRD ANGLE PROJECTION:		APPROVALS	DATE		ADVANCED TECHNICAL MATERIALS, INC.		THE INFORMATION IN THIS DRAWING IS PROPRIETARY AND SHALL NOT BE USED OR DISCLOSED WITHOUT THE PRIOR WRITTEN CONSENT OF ATM, INC. DO NOT SCALE DWG.	
UNLESS OTHERWISE NOTED, DIMENSIONS ARE IN INCHES. TOLERANCES ARE: FRACTIONS: ±1/64 ANGLES: ±1/2°		DRAWN RL	05/17/06		TEL: (631) 289-0363 FAX: (631) 289-0358 www.atmmicrowave.com			
BASIC DIMENSION		DECIMALS 2 PLACE 3 PLACE		APRVD.		WR112 CHOKE FLANGE		
UNDER 6"	±.02	±.005	MATERIAL PER ORDER		SIZE A	CAGE CODE OR8N4	ATM DWG # 7243W	REVISION -
6" - 12"	±.03	±.010	TREATMENT -		SCALE 1 : 1	MODEL # -	SHEET 1/1	
OVER 12"	±.06	±.015	FINISH -					