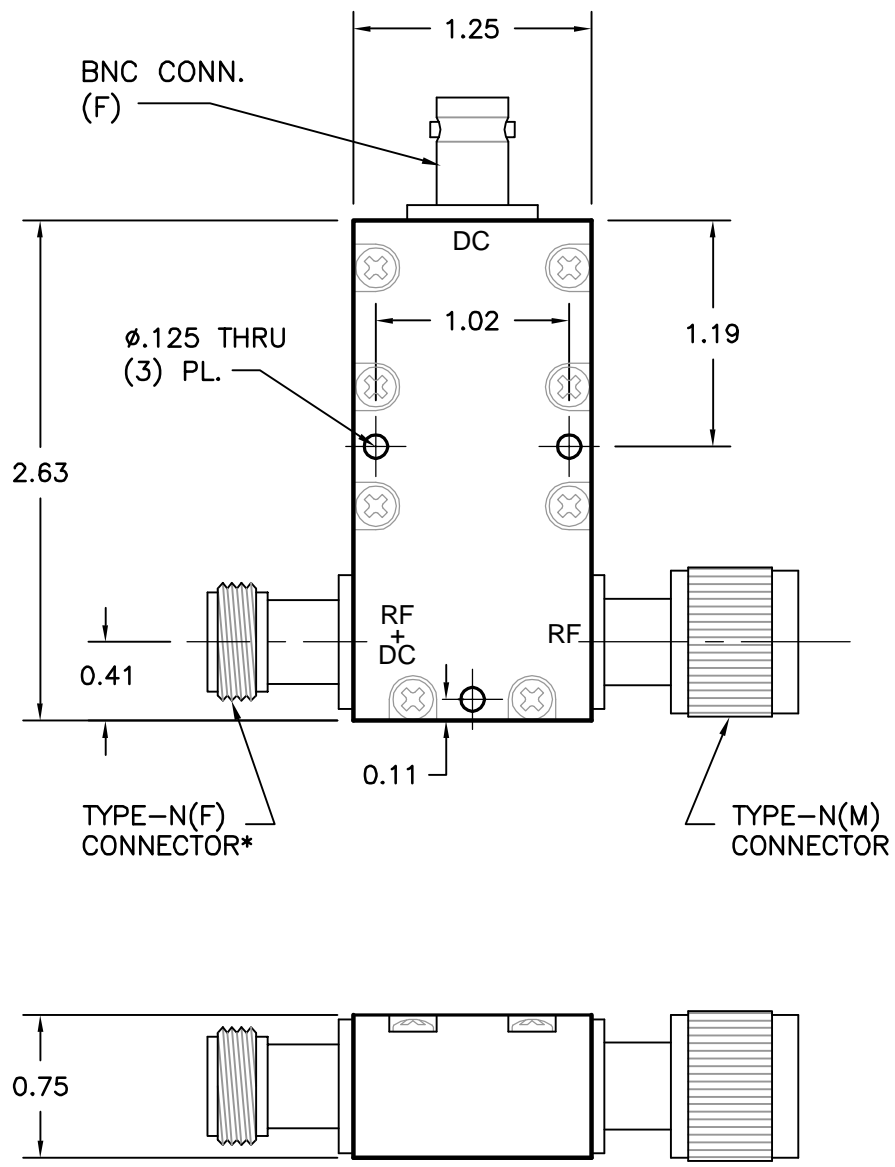


REV. A	DATE 07/18/01	INITIAL RELEASE
REV. B	DATE 08/26/05	DETAILS ADDED.



*THIS DWG. SHOWS TYPE-N CONNECTORS, SMA CONNECTORS ARE SELECTED BY MODEL NUMBER. SEE TABLE ON WEB.

MATERIAL	TREATMENT	DRAWN	DATE	
-	-	R. LYNCH	7/18/01	
FINISH	MOD NO.	CHECKED	DATE	
ATM STD. GREY	DI17X / DI27X			
<p align="center">OUTLINE DC INJECTOR, (LRG. HSG.)</p>		APPROVED	DATE	
ADVANCED TECHNICAL MATERIALS, INC. 49 RIDER AVE., PATCHOGUE N.Y. 11772 TEL: (631) 289-0386 FAX: (631) 289-0358 http://www.atmmicrowave.com		UNLESS OTHERWISE NOTED DIMENSIONS ARE IN INCHES TOLERANCES ARE:	FRACTIONS ±1/64 DECIMALS ±.01 ANGLES ±1/2°	SHEET. 1/1
		PROPRIETARY NOTICE: THE INFORMATION IN THIS DRAWING IS PROPRIETARY AND SHALL NOT BE USED OR DISCLOSED WITHOUT THE PRIOR WRITTEN CONSENT OF ATM, INC.	SCALE 1 : 1 DWG. NO. 4448W	REV. B