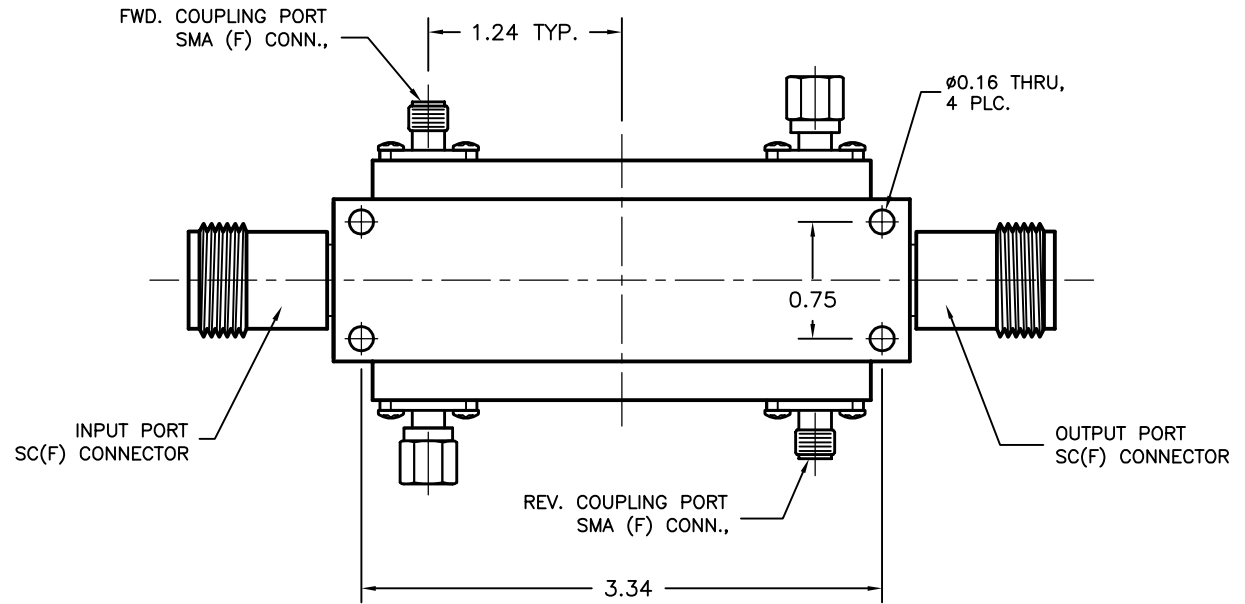
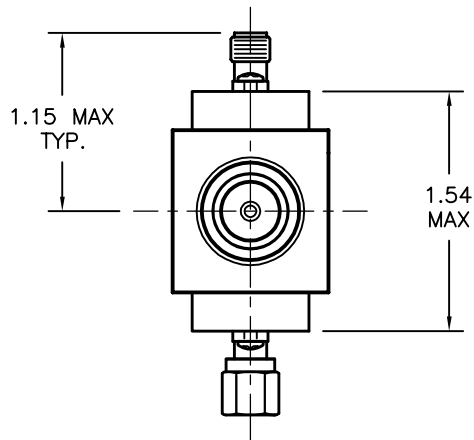
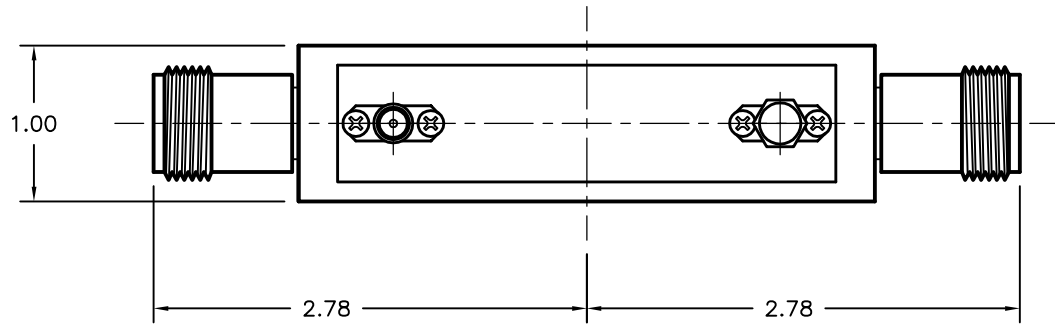


REV A	AUTH M.R.	DATE 07/25/13	INITIAL RELEASE
B	LM	1/17/14	CHANGES PER ECN 01-17-14-01
C	M.R.	06/19/14	ADDED APPLICATION TABLE, "MAX" ADDED TO HEIGHT DIMENSIONS



APPLICATIONS:	
FREQ. RANGE GHz	MODEL NUMBER
0.86-1.70	CHPsc73L-XXF-XXR
1.0-2.0	CHPsc73-XXF-XXR
2.0-4.0	CHPsc74-XXF-XXR
1.0-4.0	CHPsc73E-XXF-XXR
0.8-4.2	CHPsc72L-XXF-XXR

THIRD ANGLE PROJECTION:		APPROVALS	DATE	ADVANCED TECHNICAL MATERIALS, INC. TEL: (631) 289-0363 FAX: (631) 289-0358 www.atmmicrowave.com		<small>THE INFORMATION IN THIS DRAWING IS PROPRIETARY AND SHALL NOT BE USED OR DISCLOSED WITHOUT THE PRIOR WRITTEN CONSENT OF AT&M, INC. DO NOT SCALE DWG.</small>	
UNLESS OTHERWISE NOTED, DIMENSIONS ARE IN INCHES, TOLERANCES ARE: FRACTIONS: ±1/64 ANGLES: ±1/2° MACHINED FINISH 63 √ OR BETTER		DRAWN M.R.	07/25/13	OULTINE AIRLINE DUAL COUPLER, SC(F) CONNECTORS			
		CHKD.					
		APRVD.					
DECIMALS 2 PLACE 3 PLACE		MATERIAL ALUM BODY		SIZE A	CAGE CODE OR8N4	ATM DWG # 15071W	REVISION C
±.01 ±.005		TREATMENT CHEM FILM		SCALE 1 : 1	MODEL # VARIOUS	SHEET 1/1	
		ATM STD GRAY					