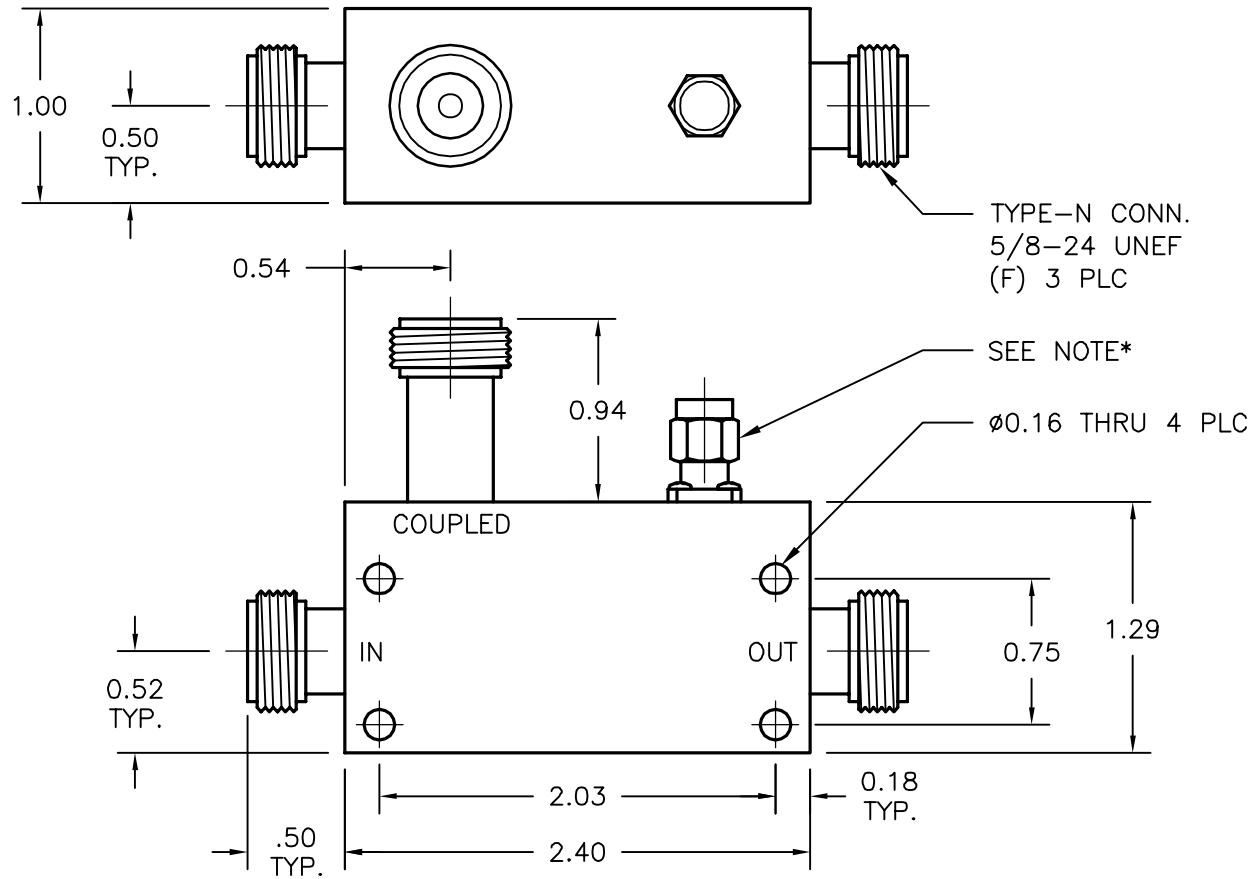



REV A	AUTH RL	DATE 8/8/01	INITIAL RELEASE
B	AUTH RL	08/31/07	TITLE BLOCK UPDATED, TERMINATION NOTES ADDED.



*NOTE: SECONDARY TERMINATION CAN BE INTERNAL OR EXTERNAL DEPENDING ON MODEL AND SHOULD NOT BE REMOVED. FOR CONNECTORIZED LOADS CONSULT FACTORY.

THIRD ANGLE PROJECTION:		APPROVALS		DATE		 ADVANCED TECHNICAL MATERIALS, INC. TEL: (631) 289-0363 FAX: (631) 289-0358 www.atmmicrowave.com		<small>THE INFORMATION IN THIS DRAWING IS PROPRIETARY AND SHALL NOT BE USED OR DISCLOSED WITHOUT THE PRIOR WRITTEN CONSENT OF ATM, INC. DO NOT SCALE DWG.</small>	
UNLESS OTHERWISE NOTED, DIMENSIONS ARE IN INCHES, TOLERANCES ARE: FRACTIONS: ±1/64 ANGLES: ±1/2°		DRAWN RL		01/17/03		OUTLINE, 4-8GHz DIRECTIONAL COUPLER, TYPE-N, OCTAVE BAND		REVISION B	
BASIC DIMENSION		DECIMALS 2 PLACE 3 PLACE		APRVD.				SIZE A	CAGE CODE OR8N4
UNDER 6"	±.02	±.005	MATERIAL -		TREATMENT -		SCALE 1 : 1	MODEL # CH215-XX	SHEET 1/1
6" - 12"	±.03	±.010	FINISH ATM STD. GRAY						
OVER 12"	±.06	±.015							