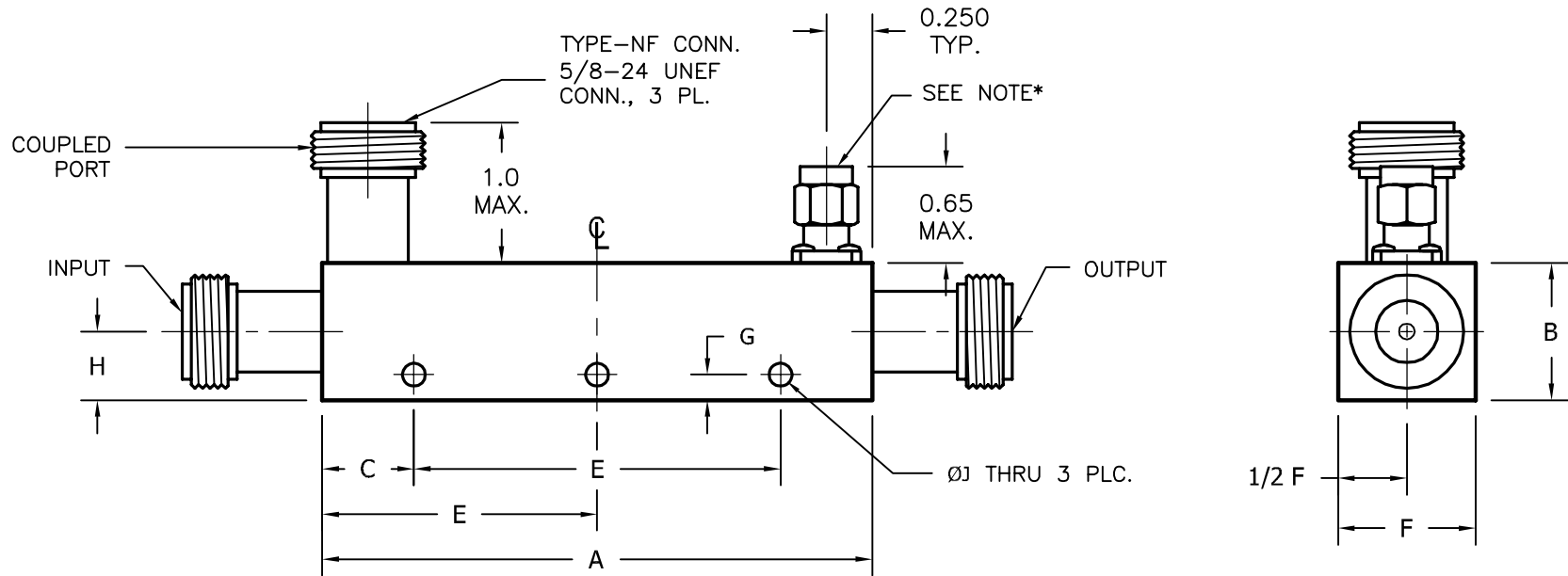


REV A	AUTH RL	DATE 8/8/01	INITIAL RELEASE
B	RL	08/24/07	TITLE BLOCK UPDATED, TERMINATION NOTES ADDED.



DIMENSIONS IN INCHES									
FIG.	A	B	C	D	E	F	G	H	J
1	3.10	0.50	0.80	1.50	---	0.50	0.08	0.22	0.28
2	3.10	0.55	0.80	1.50	---	0.50	0.08	0.22	0.25
3	2.00	0.75	0.50	1.00	---	0.75	0.14	0.38	0.40
4	1.16	0.69	0.41	0.34	---	0.75	0.14	0.35	0.25
5	1.00	0.50	---	---	0.50	0.40	0.08	0.22	0.25
6	1.00	0.55	---	---	0.50	0.40	0.08	0.22	0.25

\*NOTE: SECONDARY TERMINATION CAN BE INTERNAL OR EXTERNAL DEPENDING ON MODEL AND SHOULD NOT BE REMOVED. FOR CONNECTORIZED LOADS CONSULT FACTORY.

THIRD ANGLE PROJECTION:		APPROVALS	DATE		ADVANCED TECHNICAL MATERIALS, INC.		THE INFORMATION IN THIS DRAWING IS PROPRIETARY AND SHALL NOT BE USED OR DISCLOSED WITHOUT THE PRIOR WRITTEN CONSENT OF ATM, INC. DO NOT SCALE DWG.	
UNLESS OTHERWISE NOTED, DIMENSIONS ARE IN INCHES, TOLERANCES ARE: FRACTIONS: ±1/64 ANGLES: ±1/2°		DRAWN RL	08/09/01		TEL: (631) 289-0363 FAX: (631) 289-0358			www.atmmicrowave.com
BASIC DIMENSION		DECIMALS 2 PLACE	3 PLACE	APRVD.	<h2 style="text-align: center;">OUTLINE,</h2> <h3 style="text-align: center;">DIRECTIONAL COUPLER, TYPE-N, MULTI-BAND</h3>			
UNDER 6"	±.02	±.005	MATERIAL -					
6" - 12"	±.03	±.010	TREATMENT -					
OVER 12"	±.06	±.015	FINISH ATM STD. GRAY	SCALE	NONE	MODEL #	C22XX-XX	
				SIZE A	CAGE CODE OR8N4	ATM DWG #	4518W	REVISION B
							SHEET	1/1