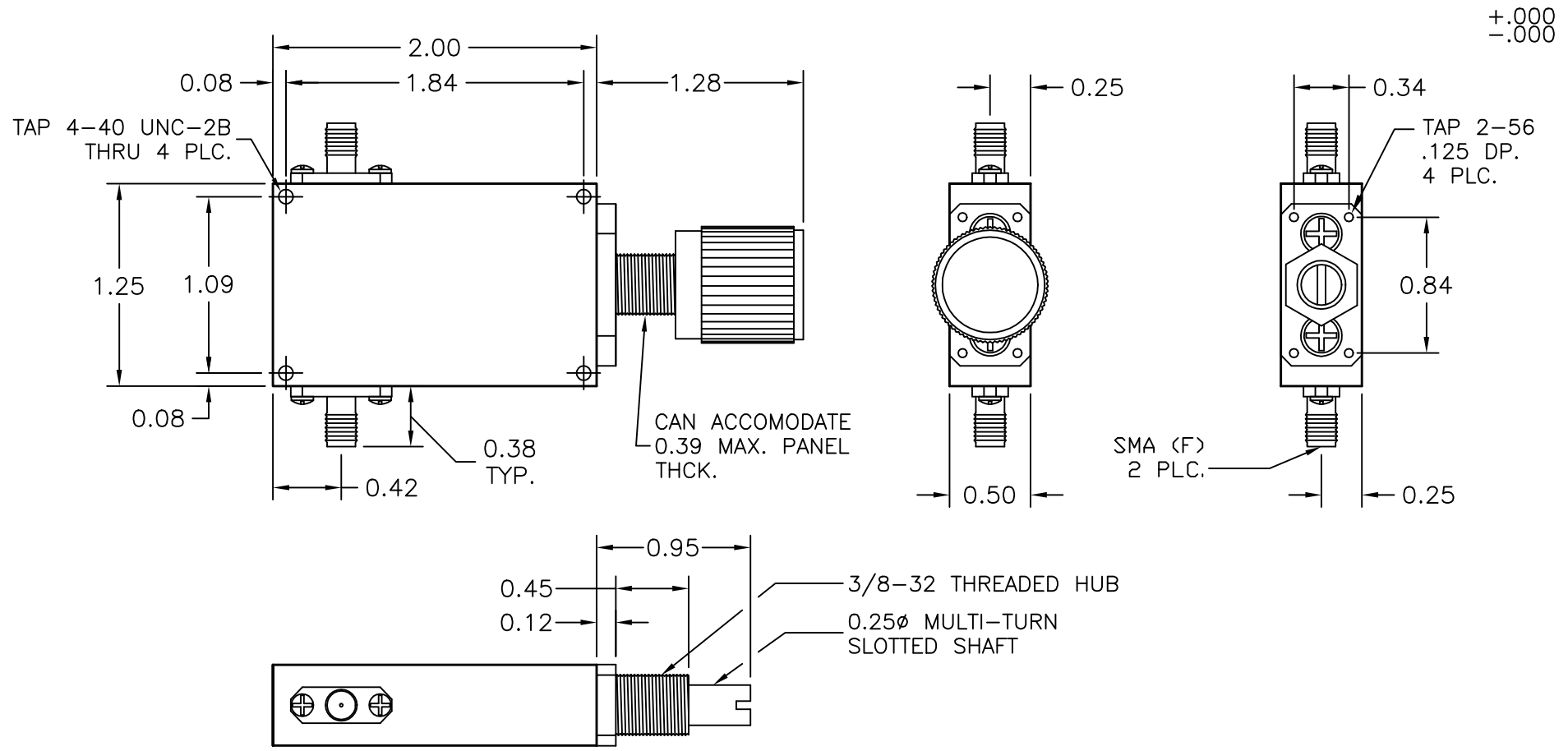


QUANTITY	MODEL NUMBER	NEXT ASSEMBLY	REVISIONS				
			ZONE	REV	DESCRIPTION	DATE	APPROVED
1	AV/AF97X-XX	0000		A	Initial Release	11/8/00	



THIRD ANGLE PROJECTION =		DRAWN R. LYNCH	DATE 4/4/01	ADVANCED TECHNICAL MATERIALS, INC. 49 RIDER AVENUE, PATCHOGUE N.Y. 11772 TEL: (631) 289-0363 FAX: (631) 289-0358		
UNLESS OTHERWISE SPECIFIED DIMENSIONS ARE IN INCHES TOLERANCES ARE: FRACTIONS DECIMALS ANGELS $\pm 1/64$ $\pm .01$ $\pm 1/2^\circ$ $\pm .005$		PROPRIETARY NOTICE The information contained in this drawing is proprietary and shall not be used or disclosed without the prior written consent of ATM, Inc.		AV/AF97 ATTENUATOR		
MATERIAL		CHECKED		SIZE A	FSCM NO. OR8N4	DWG NO. 2787
FINISH ATM STANDARD GREY		APPROVED		SCALE: 1 To 1	DO NOT SCALE DRAWING	REV A
				SHEET 3 OF 3		