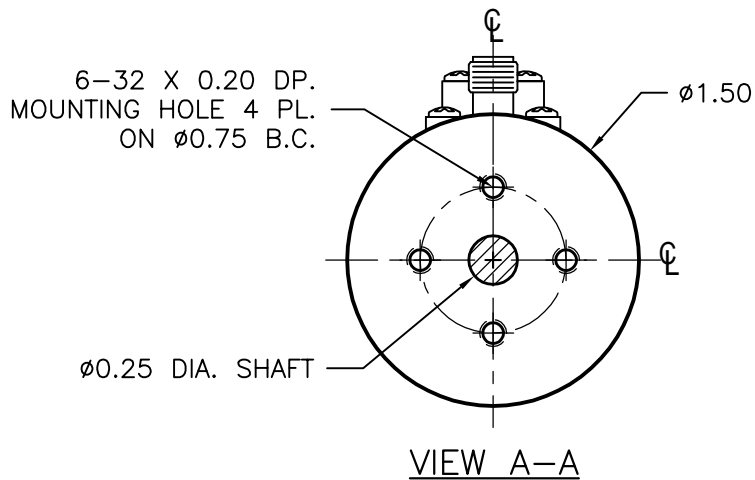
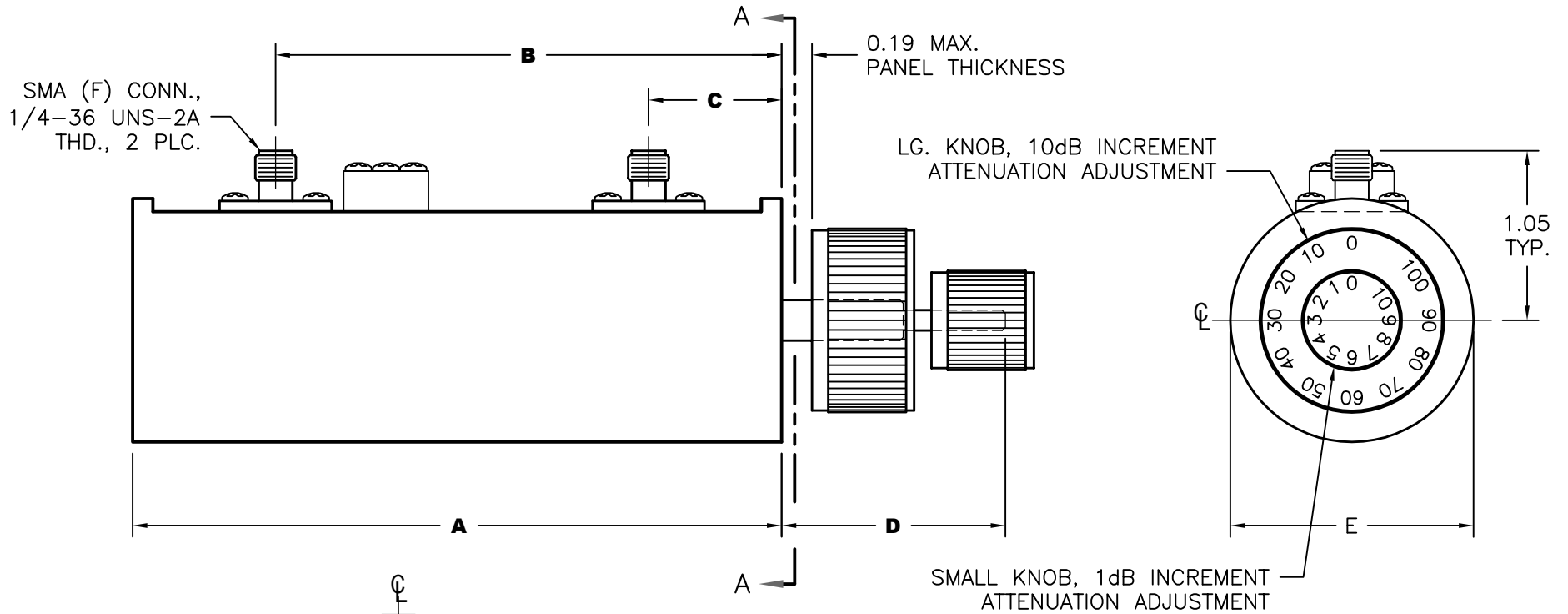


REV A	AUTH RL	DATE 6/27/01	INITIAL RELEASE
REV B	AUTH RL	DATE 06/19/02	ADDED DIMS FOR MOD# AS113-50-1
REV C	AUTH RL	DATE 05/31/06	FORMAT UPDATE; ILLUSTRATION REVISED TO SHOW KNOB MOUNTING DETAIL
D	LM	DATE 6/23/14	TABLE UPDATED TO RELECT THE DWG. WAS: "DIM F" IS: "DIM E"



MODEL	DIM A	DIM B	DIM C	DIM D	DIM E
AS113-110-1	4.00	3.12	.82	1.38	Ø1.50
AS113-50-1					

THIRD ANGLE PROJECTION:		APPROVALS	DATE	ADVANCED TECHNICAL MATERIALS, INC. TEL: (631) 289-0363 FAX: (631) 289-0358 www.atmmicrowave.com		<small>THE INFORMATION IN THIS DRAWING IS PROPRIETARY AND SHALL NOT BE USED OR DISCLOSED WITHOUT THE PRIOR WRITTEN CONSENT OF ATM, IN DO NOT SCALE DWG.</small>	
UNLESS OTHERWISE NOTED, DIMENSIONS ARE IN INCHES, TOLERANCES ARE: FRACTIONS: ±1/64 ANGLES: ±1/2°		DRAWN RL	05/31/05	<h2 style="text-align: center;">OUTLINE, DUAL CONCENTRIC ROTARY STEP ATTENUATOR</h2>			
BASIC DIMENSION		CHKD.	APRVD.				
DECIMALS 2 PLACE 3 PLACE							
UNDER 6"	±.02 ±.005	MATERIAL -		SIZE A	CAGE CODE OR8N4	ATM DWG # 4399W	REVISION D
6" - 12"	±.03 ±.010	TREATMENT -		SCALE 1 : 1	MOD# SEE TABLE		SHEET 1/1
OVER 12"	±.06 ±.015	FINISH -					