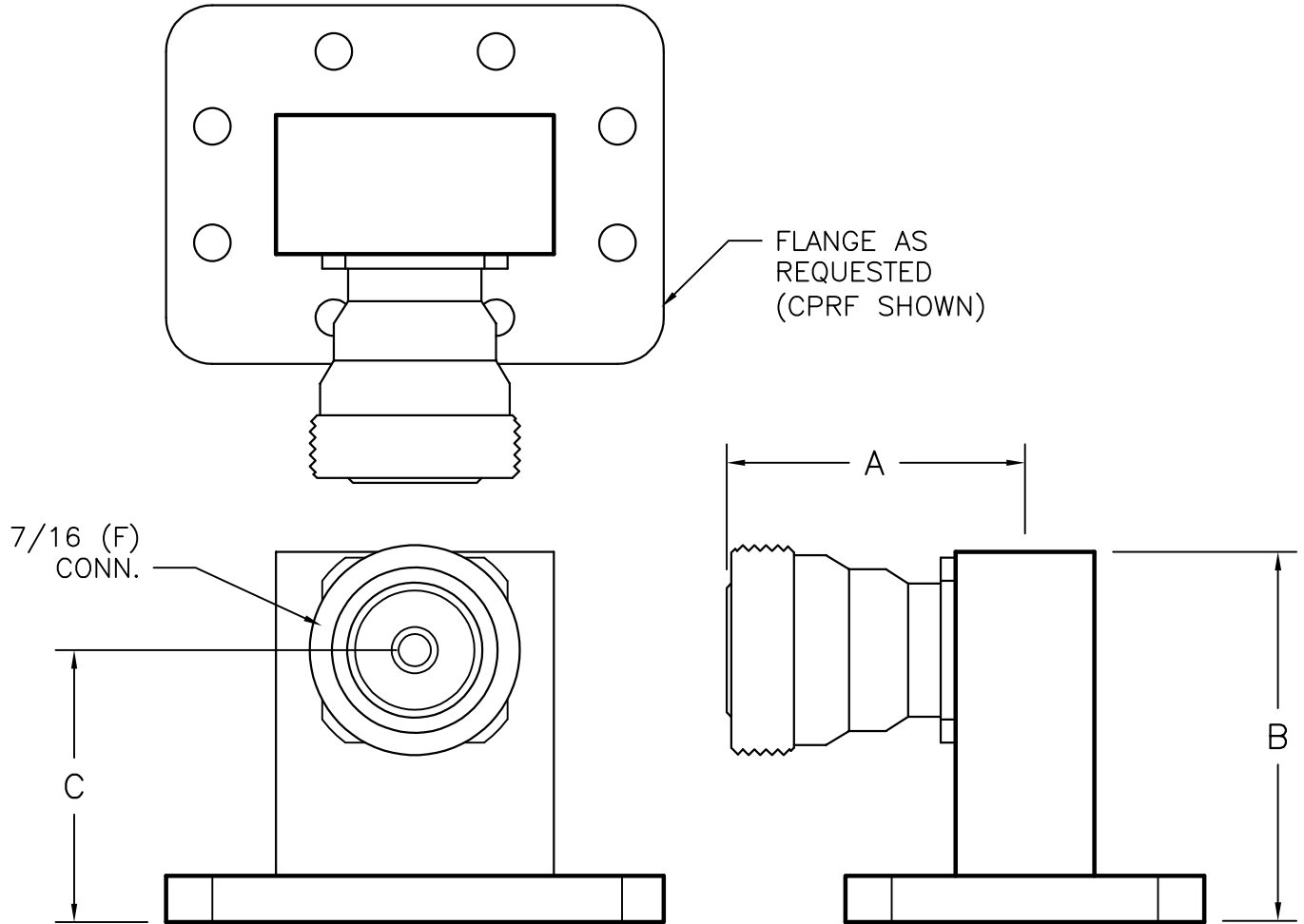


REV A	AUTH RL	DATE 1-23-03	INITIAL RELEASE
REV B	AUTH RL	DATE 5-29-03	CORRECTED DIM TABLE, REMOVED MOD 62-112
REV C	AUTH RL	DATE 12-11-17	TITLE BLOCK UPDATE



DIMENSIONS IN INCHES			
WG TYPE	A	B	C
WR137	1.59	2.00	1.47
WR159	1.68	2.33	1.70
WR187	1.72	2.60	1.90
WR229	1.85	2.25	1.35
WR284	1.97	2.50	1.51
WR340	2.15	3.50	2.29
WR430	2.37	4.00	2.30
WR650	2.92	5.00	2.40

THIRD ANGLE PROJECTION:	APPROVALS	DATE		L-3 Narda - ATM		THE INFORMATION IN THIS DRAWING IS PROPRIETARY AND SHALL NOT BE USED OR DISCLOSED WITHOUT THE PRIOR WRITTEN CONSENT OF L3 NARDA-ATM, INC. DO NOT SCALE DWG.
	DRAWN RL	1-23-03		TEL: (631) 289-0363 FAX: (631) 289-0358	www.atmmicrowave.com	
UNLESS OTHERWISE NOTED, DIMENSIONS ARE IN INCHES, TOLERANCES ARE: FRACTIONS: ±1/64 ANGLES: ±1/2° MACHINED FINISH 63 ✓ OR BETTER	CHKD.		OUTLINE, WG-COAX ADAPTER, 7/16 CONNECTOR			
	APRVD.					
DECIMALS 2 PLACE 3 PLACE	MATERIAL PER ORDER		SIZE A	CAGE CODE OR8N4	ATM DWG # 3525	REVISION C
±.01 ±.005	TREATMENT -		SCALE 1 : 1	MODEL # XX-XXX		SHEET 1/1
	FINISH -					