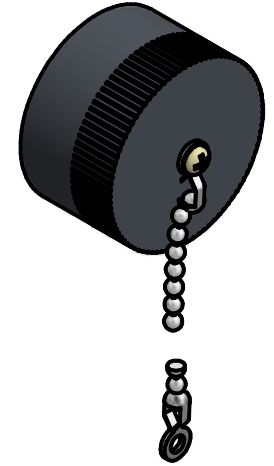
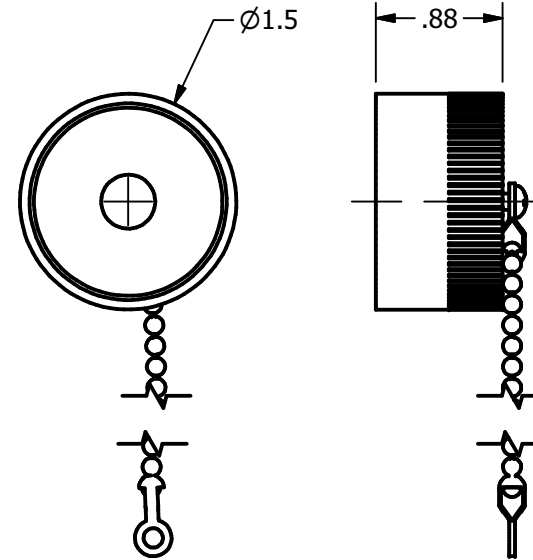
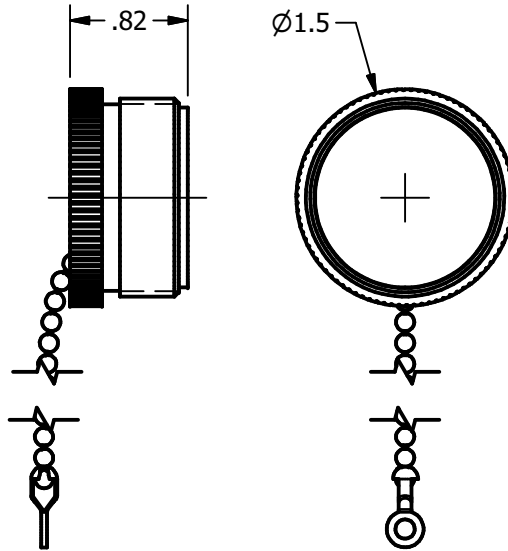


REVISION HISTORY

REV	AUTH	DATE	DESCRIPTION
A	RL	1-16-2017	INITIAL RELEASE



**DUST COVER, MALE**

NOTE: MATES TO FEMALE END OF QD-28HQ QUICK CONNECT ASSEMBLY.


MODEL #: **QD-28-MDC**  
 MATERIAL: ALUM.  
 FINISH: BLACK ANODIZE

**DUST COVER, FEMALE**

NOTE: MATES TO MALE END OF QD-28HQ QUICK CONNECT ASSEMBLY.

MODEL #: **QD-28-FDC**  
 MATERIAL: ALUM.  
 FINISH: BLACK ANODIZE

USED ON:	QTY	NEXT ASSY	THIRD ANGLE PROJECTION:	DRAWN: RL	DATE: 1-16-17
			UNLESS OTHERWISE NOTED, DIMENSIONS ARE IN INCHES, TOLERANCES ARE: FRACTIONS: ±1/64 ANGLES: ±1/2°	CHKD.	
			DECIMALS 2 PLACE 3 PLACE	APRVD.	
			±.01 ±.005	MATERIAL	SEE NOTE
SHEET SIZE: A			SHEET #: 1 OF 1	TREATMENT	-
				FINISH	SEE NOTE
				SURFACE FINISH:	63 √ OR BETTER



**L3-NARDA-ATM**  
 49 Rider Ave, Patchogue, NY 11772  
 TEL: (631) 289-0363 FAX: (631) 289-0358  
 www.atmmicrowave.com  
 CAGE CODE: 0R8N4

THE INFORMATION IN THIS DRAWING IS PROPRIETARY AND SHALL NOT BE USED OR DISCLOSED WITHOUT THE PRIOR WRITTEN CONSENT OF L3 NARDA-ATM, INC.

**OUTLINE, DUST COVERS**  
 WR28 QUICK CONNECTS

MODEL # SEE NOTE	ATM DWG # 17868	REVISION A
---------------------	--------------------	---------------