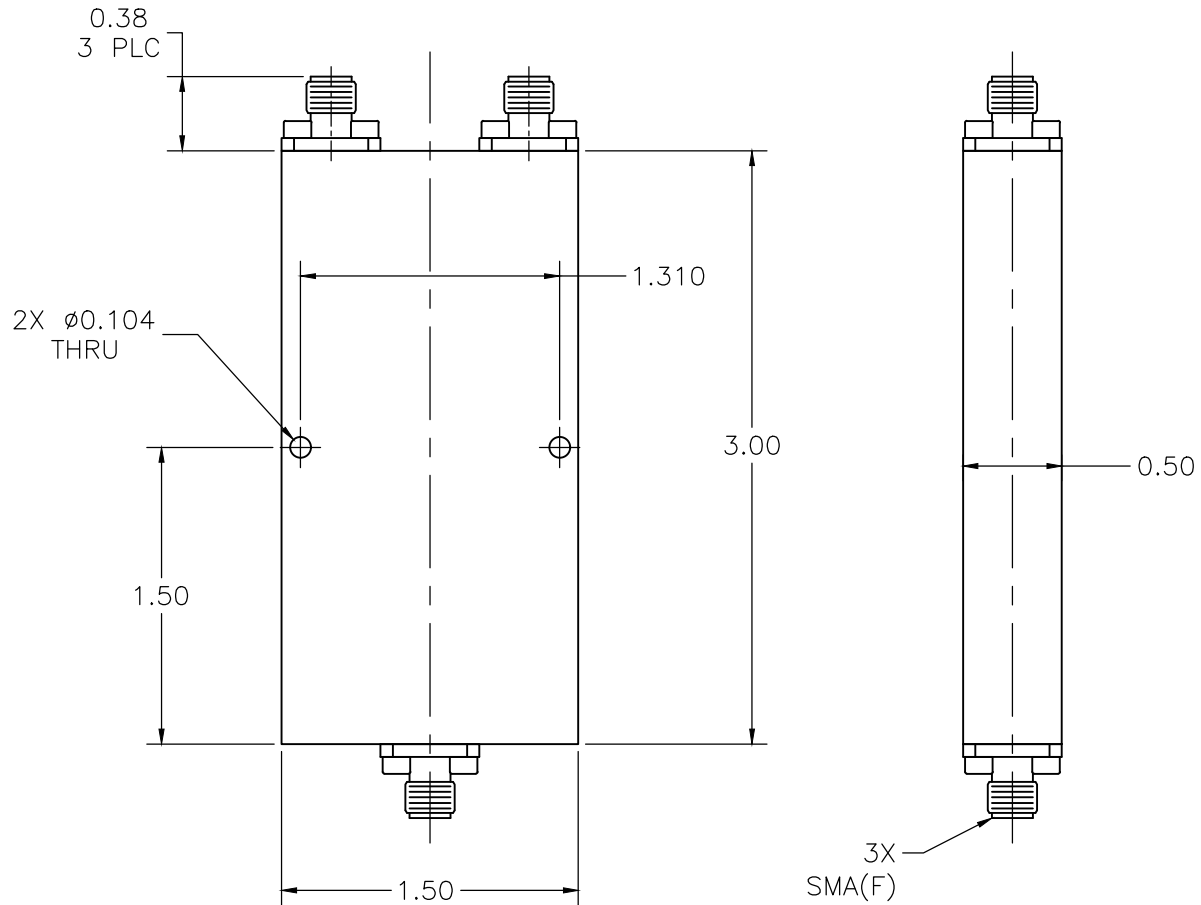


REVISIONS				
ZONE	LTR	DESCRIPTION	DATE	APPROVED
A		INITIAL RELEASE	03/03/22	M. Rotunda



**MODEL SPECIFICATIONS**

**MECHANICAL**

MODEL NUMBER: P212E  
 MATERIAL: 6061/T-6 ALUM.  
 BODY: STAINLESS STEEL  
 CONNECTORS: UNIQUE CORROSION RESISTANT  
 FINISH: 316 STAINLESS STEEL EPOXY COATING.

**ELECTRICAL**

FREQ. RANGE: 0.5-4.0 GHz  
 VSWR MAX.: 1.3:1  
 IN: 1.2:1  
 OUT: 20dB  
 ISOLATION: 0.5dB MAX  
 INSERTION LOSS: ±0.2 dB  
 AMP. BALANCE: ±4.0°  
 PHASE BALANCE: ±4.0°

PRINT NOT ON AUTOMATIC DISTRIBUTION VERIFY REVISION PRIOR TO USE

Narda-MITEQ PROPRIETARY THIS DOCUMENT CONTAINS INFORMATION WHICH IS PROPRIETARY TO Narda-MITEQ. THE CONTENTS SHALL NOT BE DISCLOSED, COPIED, DISTRIBUTED, OR USED UNLESS AUTHORIZED BY AN OFFICER OF Narda-MITEQ.		UNLESS OTHERWISE SPECIFIED DIMENSIONS ARE IN INCHES TOLERANCES ON DECIMALS ANGLES .XX ± .01 .XXX ± .005 ± 0°30'			
THESE ITEM(S)/TECHNOLOGY CONTAIN INFORMATION SUBJECT TO U.S. GOVERNMENT EXPORT CONTROL IN ACCORDANCE WITH THE EXPORT ADMINISTRATION REGULATIONS (EAR), 15 CFR PARTS 730-744. EXPORT OF THIS DATA TO ANY FOREIGN COUNTRY OR DISCLOSURE OF THIS DATA TO ANY NON-US PERSON MAY BE A VIOLATION OF FEDERAL LAW.		PROJECTION		APPROVED BY M. Rotunda 03/03/22	
NEXT ASSY USED ON APPLICATION		MATERIAL FINISH		OUTLINE 2 WAY POWER DIVIDER SMA CONNECTORS	
AUTOCAD FILE FORMAT		SIZE C		CODE IDENT. NO. 227231	
SCALE REF		SHEET 1 OF 1		REV. A	

227231

AUTOCAD 11/16/20